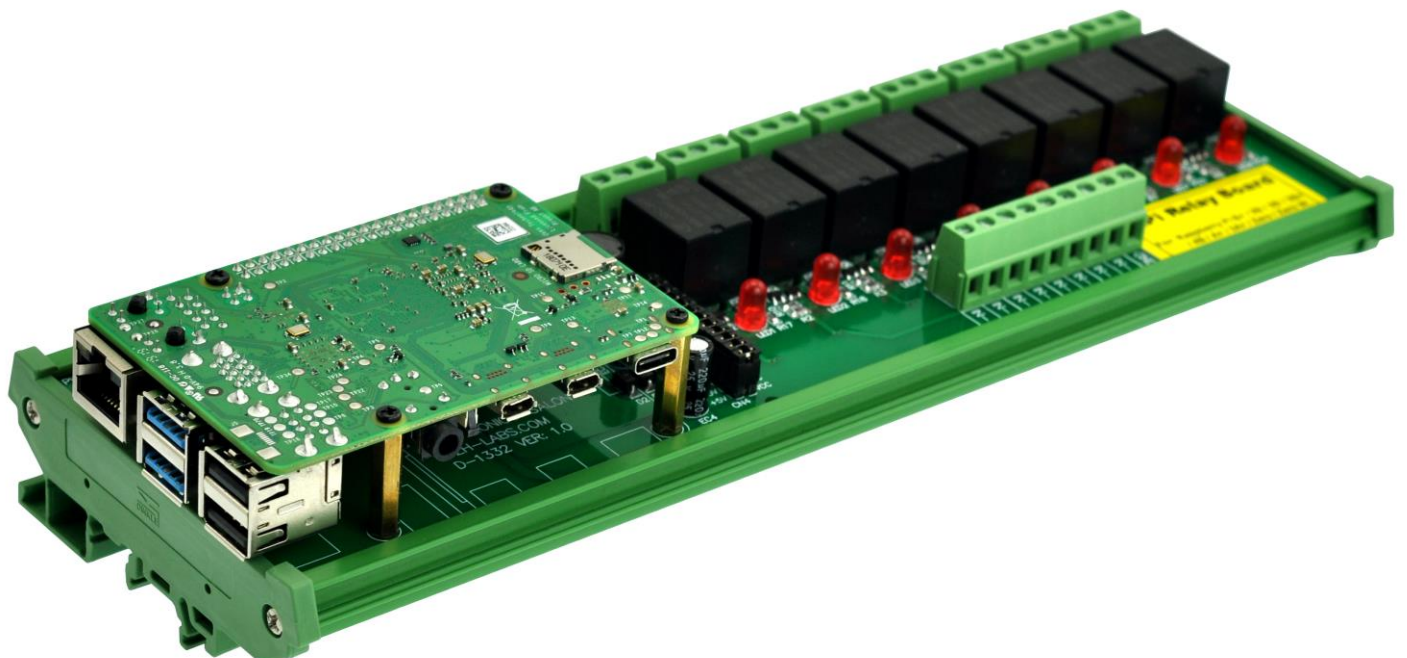


Electronics-Salon CZH-LABS.com

DIN Rail Mount IoT Power Relay Module for Raspberry Pi
SKU MD-D1332T-1



Features:

- **DIN Rail Mount IoT Power Relay Module for Raspberry Pi, with the module you can easily extend Raspberry-Pi projects to IoT/industrial control applications. Support for Raspberry Pi 1 Model A+, Pi 1 Model B+, Pi 2 Model B, Pi 3 Model B, Pi 3 Model B+, Pi 4 Module B, Pi Zero or Pi Zero W (NOTE: the item not include Raspberry Pi).**
- **Support DC 5V or DC 7V ~ 32V power supply.**
- **Relay action LED indication corresponds to each channel. Support pin jumper chose control signal from Raspberry or external signal.**
- **8 channels SPDT power relays. Contact Rating (each channel): 125VAC/12A, 277VAC/10A or 30VDC/10A.**
- **FR-4 glass fiber PCB. High quality fireproof nylon material DIN rail mount carrier, can support width 35mm / 32mm / 15mm rail.**

Power Supply:

Support DC 5V(from [Raspberry Pi](#)) or DC 7V ~ 32V(from [PWR IN](#) terminal block) power supply, **But can't support simultaneous power supply of both.**

From Raspberry Pi micro USB(or Pi4 type C) power supply port, must a 5V adapter and maximum current > 3A.

From PWR IN terminal block, can support 7V ~ 32V.

For 7V maximum current must > 2.5A

For 9V maximum current must > 1.8A

For 12V maximum current must > 1.5A

For 15V maximum current must > 1.2A

For 18V maximum current must > 1A

For 24V maximum current must > 0.8A

For 32V maximum current must > 0.5A

Pin Jumper Control Signal Chose:

Support pin jumper chose control signal from Raspberry or external signal.

From Raspberry Pi, short all pin jumpers, GPIO output HIGH relay action, GPIO output LOW relay no action.

GPIO5 control relay 1

GPIO6 control relay 2

GPIO13 control relay 3

GPIO16 control relay 4

GPIO19 control relay 5

GPIO20 control relay 6

GPIO21 control relay 7

GPIO26 control relay 8

From external signal control, IN1 ~ in8 pin jumpers must be removed (GND and VCC pin jumper must be reserved), control signal connect to terminal block IN1 ~ IN8.

Control signal voltage: 2.5~32V relay action, 0V relay no action.

Relay:

Part Number: JQC-3FF 5VDC Power Relays.

Manufacturer: Hongfa.

Contact type: SPDT(Single Pole Double Throw).

Contact Rating (each channel): 125VAC/12A, 277VAC/10A or 30VDC/10A.

Terminal Block:

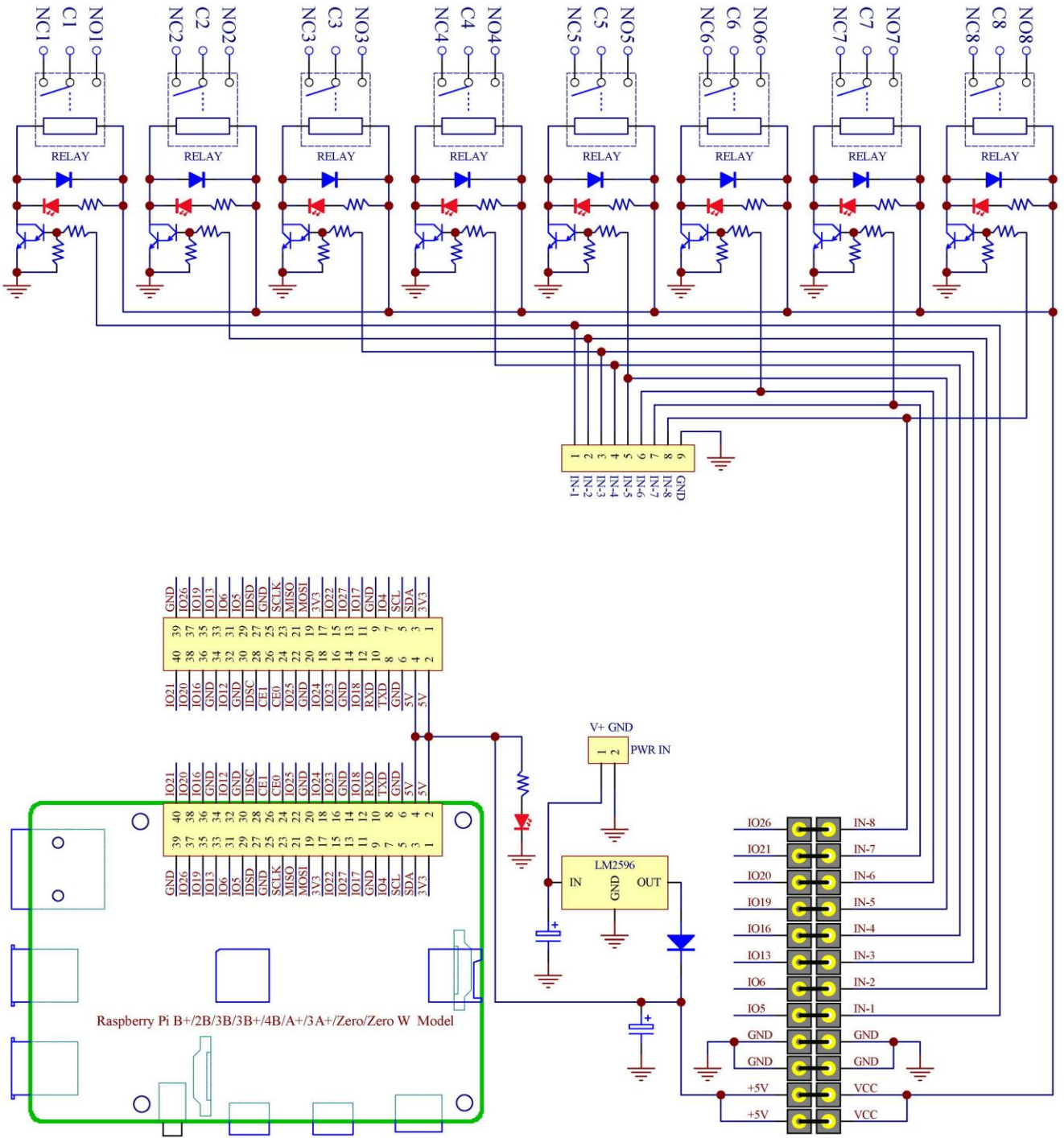
Pitch 5.0mm/0.197"

Strip length 7mm, screws - M2.5, steel, Cr3+ Zn plated.

Pin header and cage - brass.

Wire range 28AWG ~ 12AWG / 2.5mm square.

Simple Schematic(not 100% real schematic):



Dimensions:

