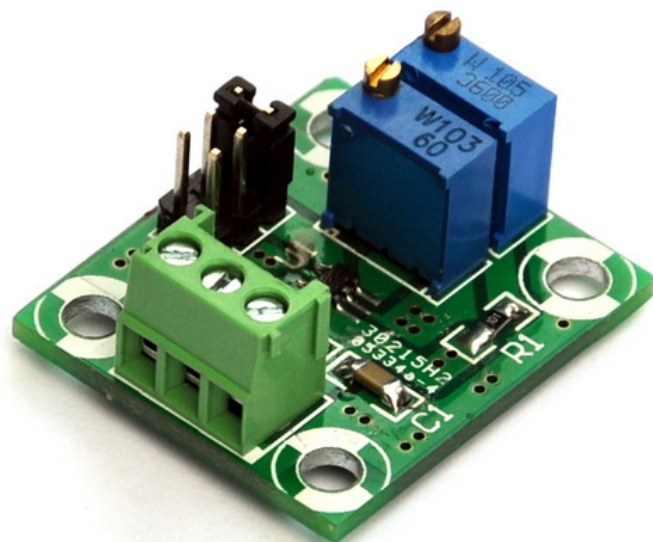


AudioWind Electronics-Salon

SPECIFICATION

Model: R-100



Frequency Adjustable Square Wave Oscillator Module.

Frequency Range: 1KHz to 33MHz.

(@5V: Fmax 33MHz, @3V: Fmax 20MHz)

Operating Voltage: 2.7 to 5.5V DC.

Operating Current: < 5mA.

Operating Temp. Range: 0 to 70°C.

Design based on Linear Technology LTC1799 IC.

Two 25 turns precision trimming potentiometer

Terminal blocks, easy connection wire.

FR-4 fiber glass material PCB (double layer).

PCB size : 30 x 26.2 mm

Maximum height : 15 mm

Fast Start-Up Time: <1ms

+/- 40ppm/°C Temperature Stability

0.05%/V Supply Stability

50% ±1% Duty Cycle 1kHz to 2MHz

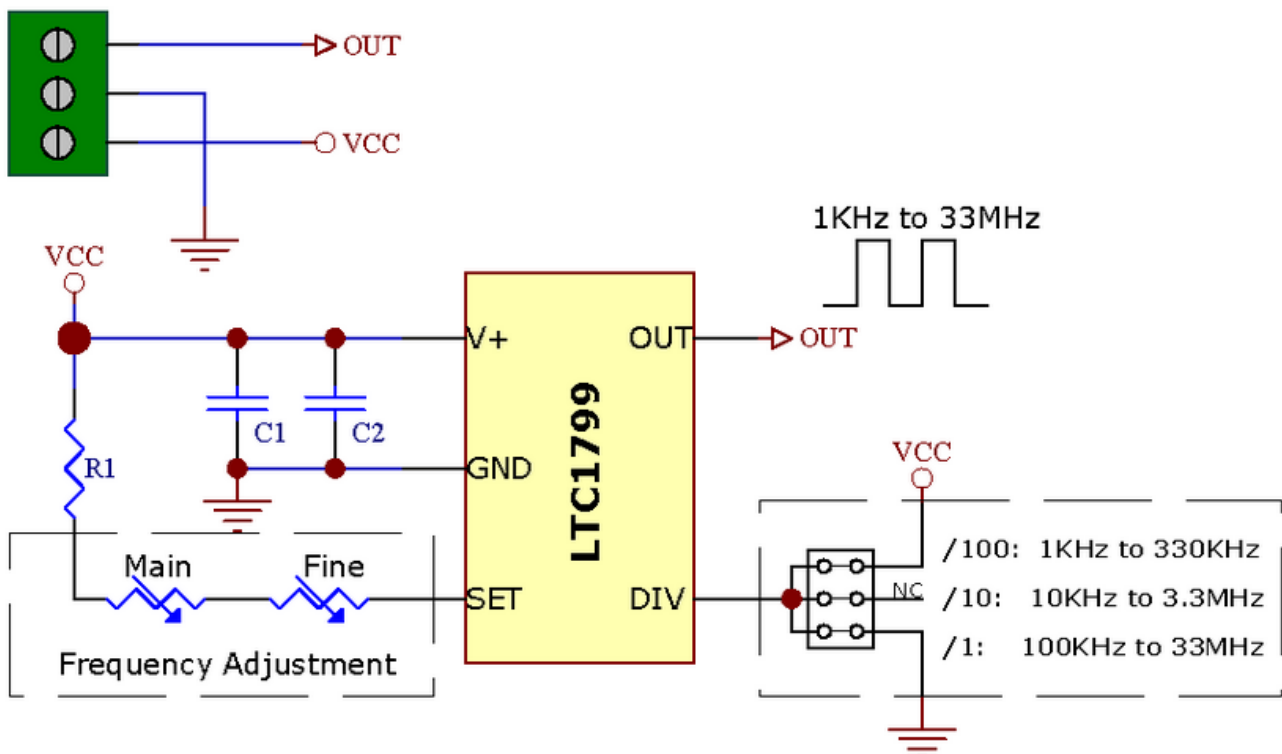
50% ±5% Duty Cycle 2MHz to 20MHz

100 Ohm CMOS Output Driver

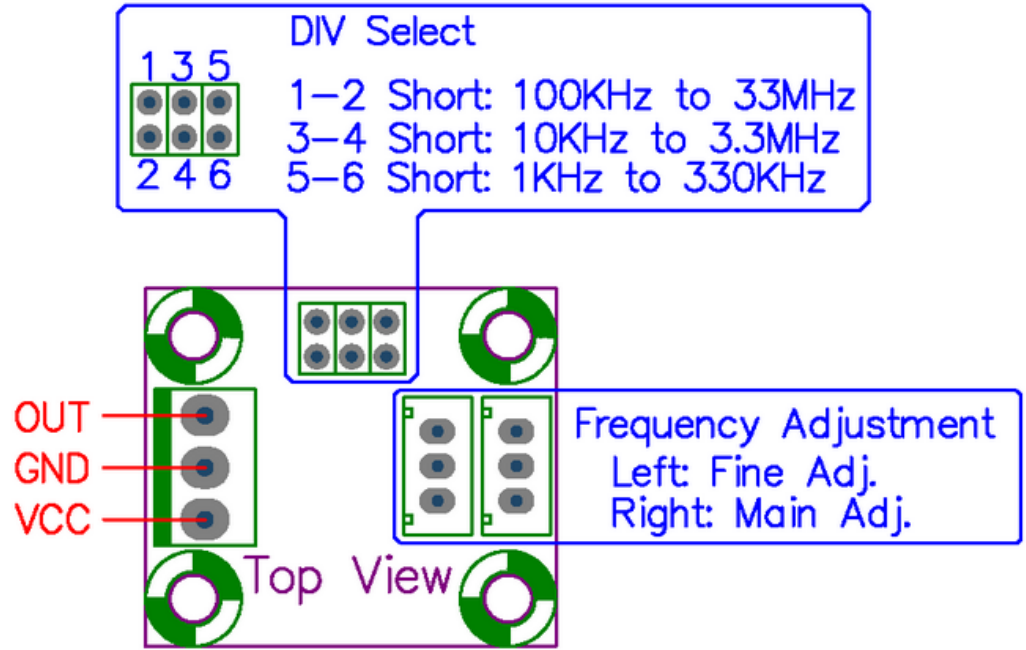
Other Spec. Please Read LTC1799 IC Datasheet:

<http://cds.linear.com/docs/Datasheet/1799fc.pdf>

Schematic:



Terminal Connection:



OUT: Frequency wave output.

GND: Power supply ground and signal ground.

VCC: Power supply input.

PCB Size:

