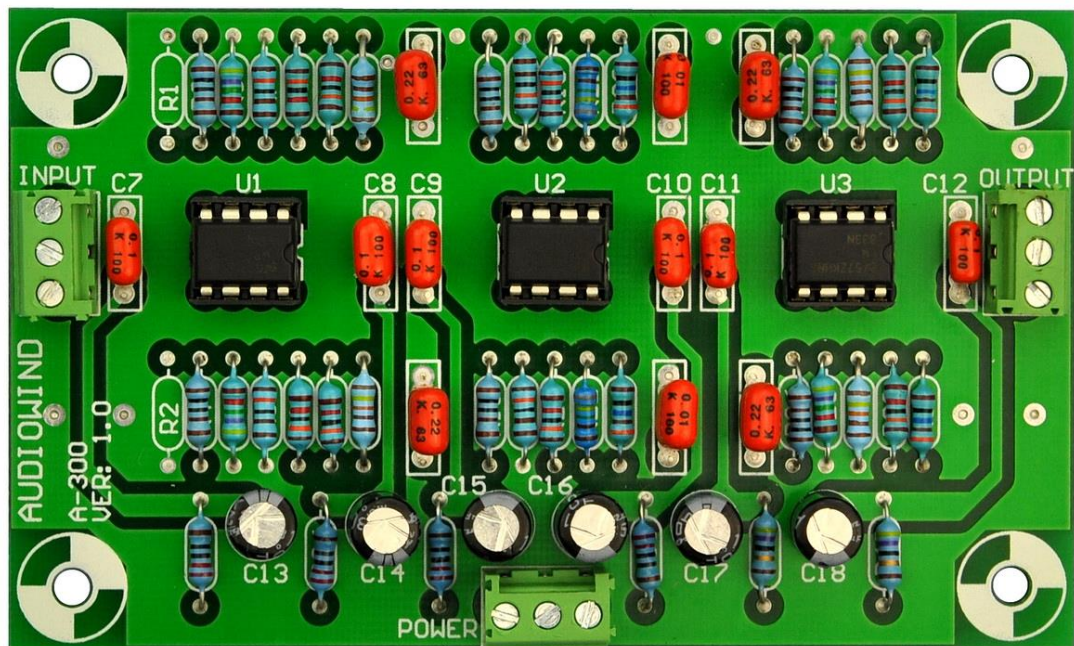


# AudioWind Electronics-Salon

## SPECIFICATION

Model: MD-A300MM-1  
MD-A300MC-1



# Phono Preamplifier Module Board

<b>Best Operating Voltage:</b>	<b>+/-9V DC to +/-15V DC.</b>
<b>Gain:</b>	<b>MM version 40dB / MC version 60dB</b>
<b>Input Impedance:</b>	<b>MM version 47K ohm / MC version 100 ohm.</b>
<b>Output Impedance:</b>	<b>330 ohm.</b>
<b>RIAA Accuracy:</b>	<b>&lt;1dB.</b>
<b>Bandwidth:</b>	<b>20 to 100KHz (-3dB).</b>
<b>Distortion:</b>	<b>0.05% (@1KHz).</b>
<b>SNR:</b>	<b>&gt;68dB(use batteries supply).</b>
<b>Size:</b>	<b>100 x 60 x 16mm (L x W x H).</b>

**Used high-quality electronic components:**

**Thickness 1.6mm FR-4 fiber glass PCB (double layer).**

**HQ terminal blocks easy connection wire.**

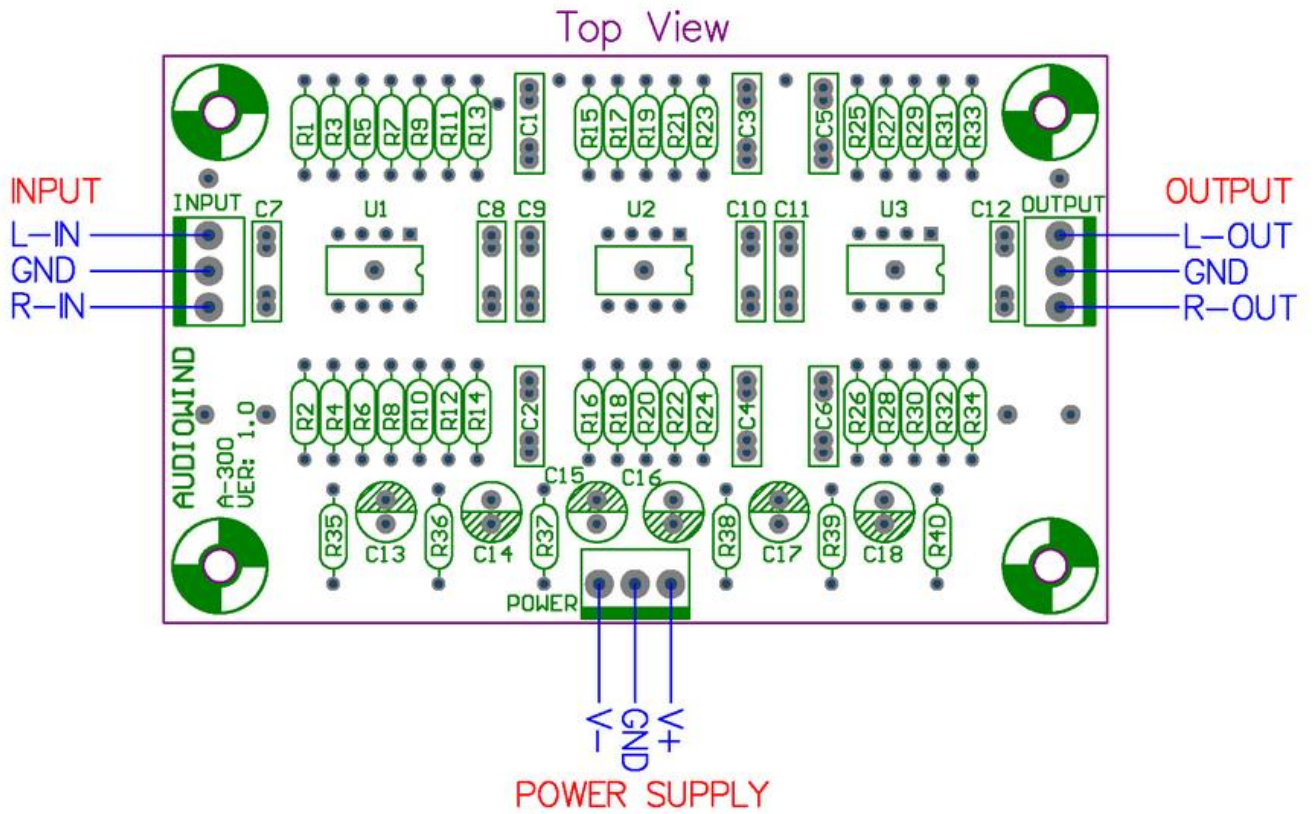
**Polyester film and metallized film capacitors.**

**Precision 1% metal film resistors.**

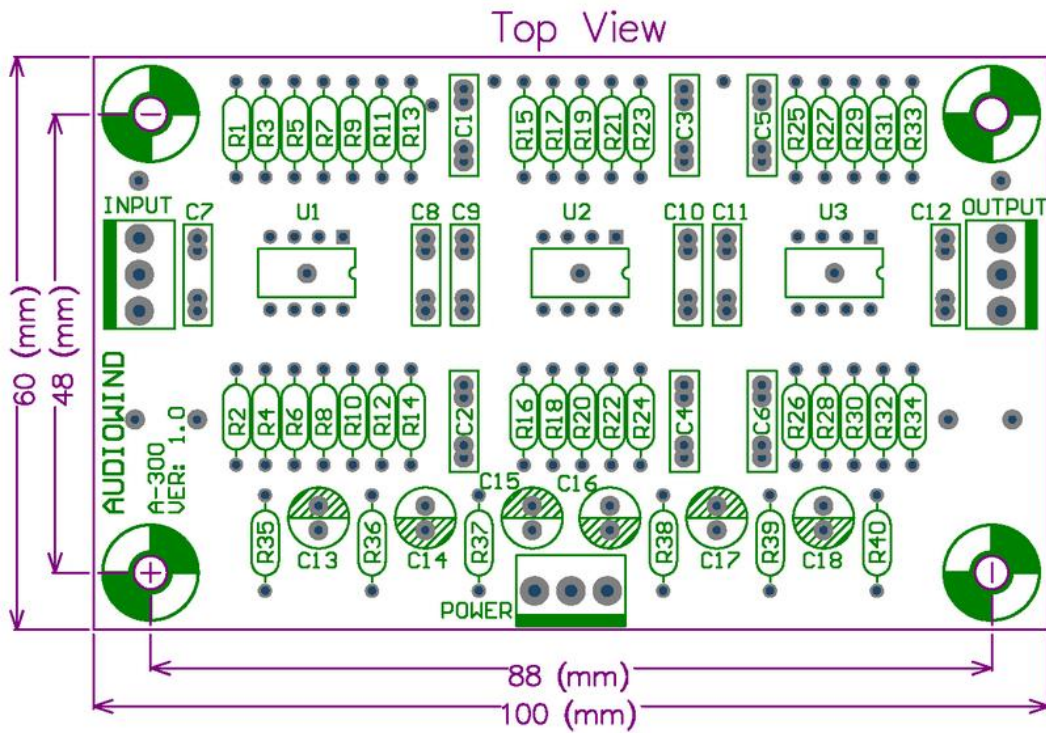
**Low noise and low distortion audio opamp LM833-N.**

**DIP-8 IC socket, can easily replace other opamp.**

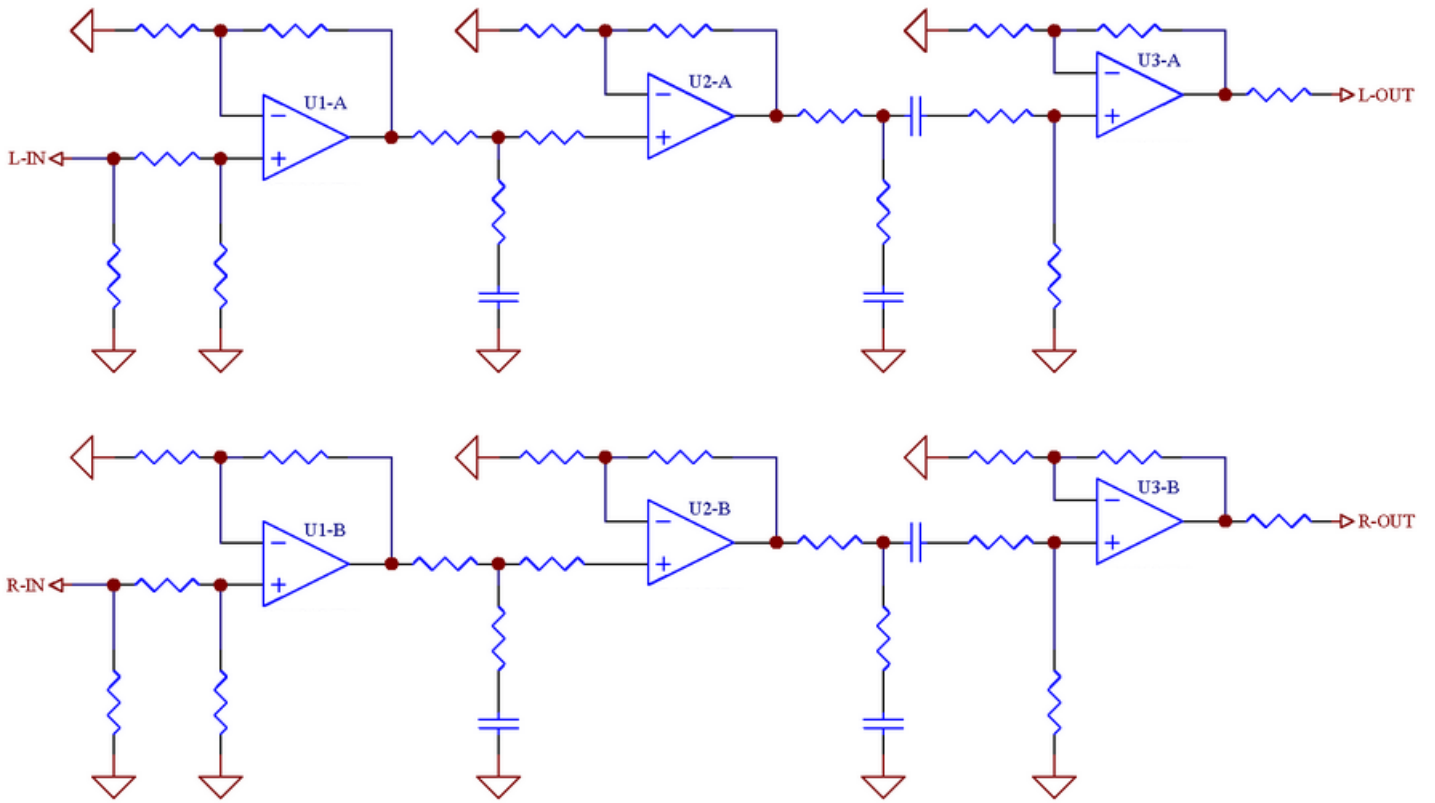
## Wring Diagram:



## PCB Size:



## Simple Schematic:



About power supply connect, for a example use two 9V batteries:

