

# AudioWind Electronics-Salon

**Mono 10 Watt Audio Power Amplifier**  
Model: A-530



# **Mono 10 Watt Car Radio Audio Power Amplifier**

**Based on ST TDA2003A IC design**

## **Specifications:**

Operating Voltage: 8 to 18V DC.

Quiescent Current: 60mA ( Power ON ).

Input Impedance: 9.1K OHM.

Voltage Gain: 40dB and 46dB (Jumper Optional).

Output Power: 10 Watt (@14.4V DC, THD=10%, 2 OHM Load).

Frequency Response: 40 Hz to 15 KHz. (-3dB, @1W output).

THD: 0.2% (@14.4V DC, Gain 40dB, 2.5 Watt, 4 OHM Load).

## **Size:**

PCB Size: 47 x 63.7 mm (1.85 x 2.51 inch).

Module Size(W x L x H): 47 x 78.7 x 38.5 mm (1.85 x 3.09 x 1.52 inch)

Potentiometer Shaft Diameter: 6mm (18 Teeth).

Potentiometer Shaft Length: 15mm

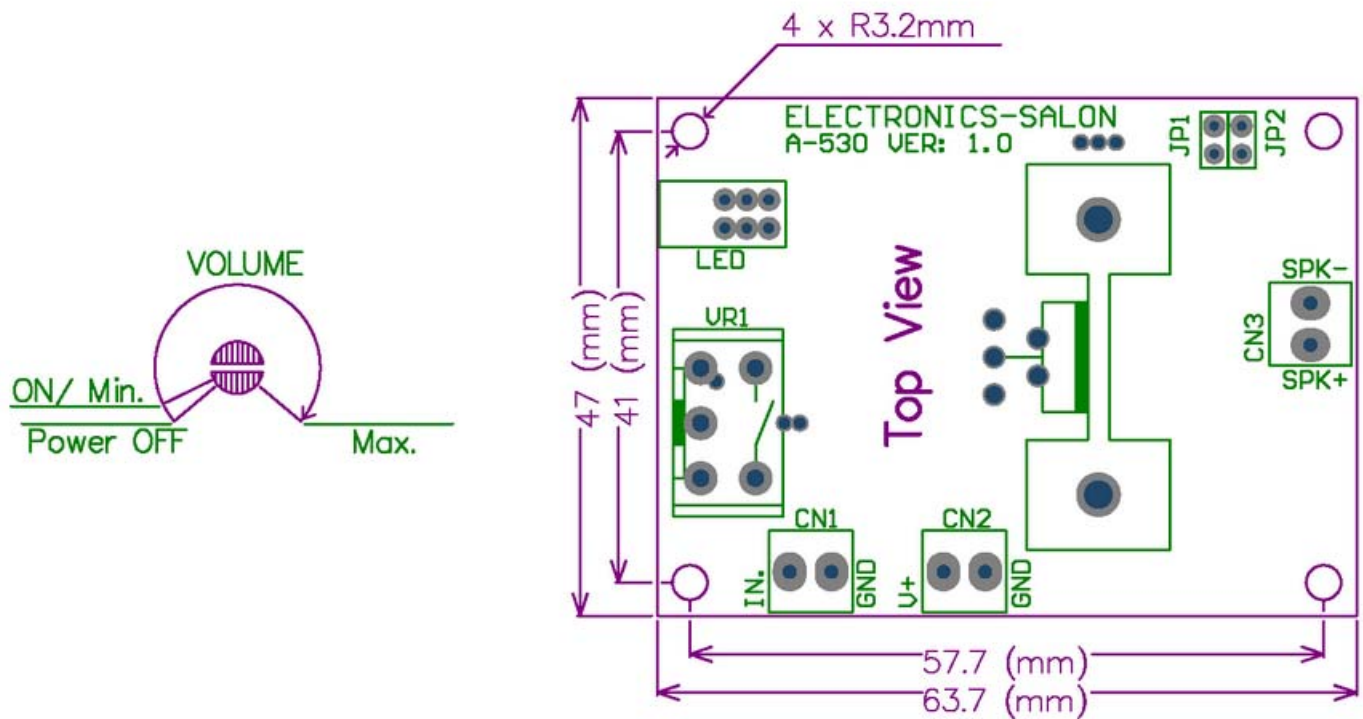
This is a very typical TDA2003A amplifier, detailed electrical specifications please read ST datasheet:

[http://www.st.com/internet/com/TECHNICAL\\_RESOURCES/TECHNICAL\\_LITERATURE/DATASHEET/DM00028077.pdf](http://www.st.com/internet/com/TECHNICAL_RESOURCES/TECHNICAL_LITERATURE/DATASHEET/DM00028077.pdf)

Any questions, feel free to tell me, my email:

[Jianglily2005@gmail.com](mailto:Jianglily2005@gmail.com)

## PCB Size and Wiring Diagram:



CN1 IN. : Audio signal input.

CN1 GND: Audio signal ground.

CN2 V+ : Power supply input + ( or battery + )

CN2 GND : Power supply ground (0V, or battery -)

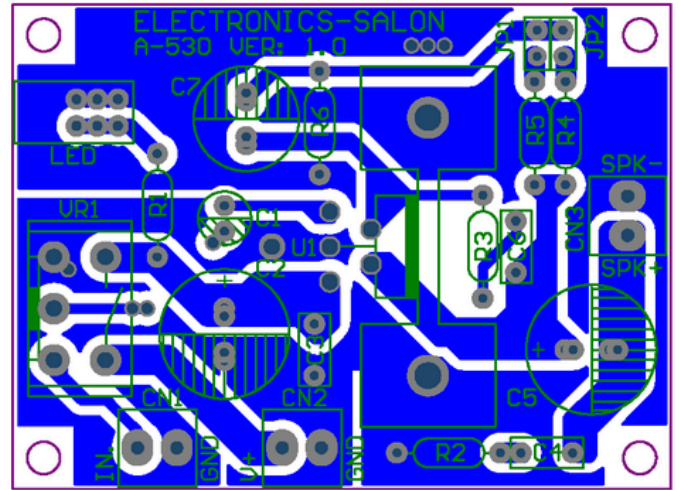
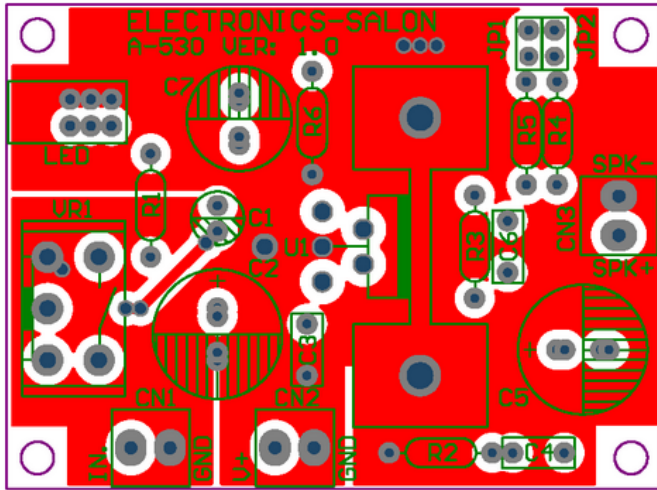
CN3 SPK+ : Connect to speaker +

CN3 SPK- : Connect to speaker -

VR1: Volume adj.

LED : Power ON/OFF indicator

# PCB Layout:



# Schematic:

