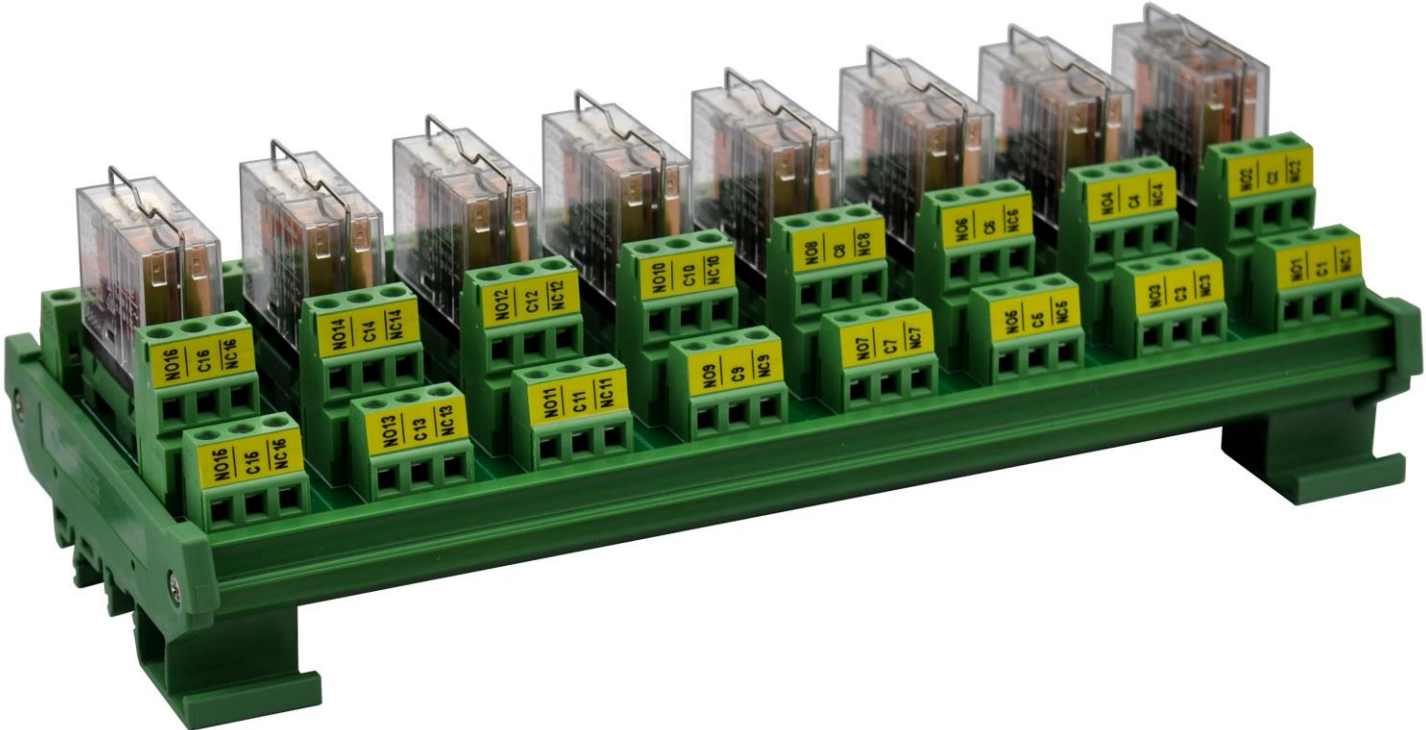


CZH-LABS.com Electronics-Salon

**AC/DC Control 2 / 3 / 4 / 6 / 8 DPDT 5Amp
Pluggable Power Relay Module
Model: D-1264 Series**



Feature:

- Omron G2R-2 industrial power relays, switching current up to 5A at 250VAC (or 30VDC), and easy to replace pluggable relays.
- Support AC / DC control signals. Dual input terminal block, you can flexibility to configure the input mode: Individual / Common Positive / Common Negative.
- LED indicator for each relay channel , relay coil protection by means of a freewheeling diode.
- High quality screw terminal block, FR-4 fiber glass PCB, dual copper layers.
- DIN rail mount, Taiwan DINKLE fireproof nylon material DIN rail mount carrier (not China low quality carrier), can support width 35mm / 32mm / 15mm rail.

Characteristic Parameters:

Operating voltage (coil)			
Voltage version	5V	12V	24V
Relay part number	G2R-2 5VDC	G2R-2 12VDC	G2R-2 24VDC
Operating voltage range (per relay)	DC 4V~9V	DC 9V~21V	DC 18V~40V
	AC 4V~7V	AC 10V~16V	AC 18V~30V
Operating current (per relay)	106mA (at 5V)	45mA (at 12V)	23mA (at 24V)
Output (relay switch) contact rating			
For AC	Dual 5A/ 250VAC		
For DC	Dual 5A/ 30VDC		

Version List:

Part Number	Relay Number	Standard Operating Voltage
MD-D1264T5V/2-1	2	5V AC/DC
MD-D1264T12V/2-1	2	12V AC/DC
MD-D1264T24V/2-1	2	24V AC/DC
MD-D1264T5V/3-1	3	5V AC/DC
MD-D1264T12V/3-1	3	12V AC/DC
MD-D1264T24V/3-1	3	24V AC/DC
MD-D1264T5V/4-1	4	5V AC/DC
MD-D1264T12V/4-1	4	12V AC/DC
MD-D1264T24V/4-1	4	24V AC/DC
MD-D1264T5V/6-1	6	5V AC/DC
MD-D1264T12V/6-1	6	12V AC/DC
MD-D1264T24V/6-1	6	24V AC/DC
MD-D1264T5V/8-1	8	5V AC/DC
MD-D1264T12V/8-1	8	12V AC/DC
MD-D1264T24V/8-1	8	24V AC/DC

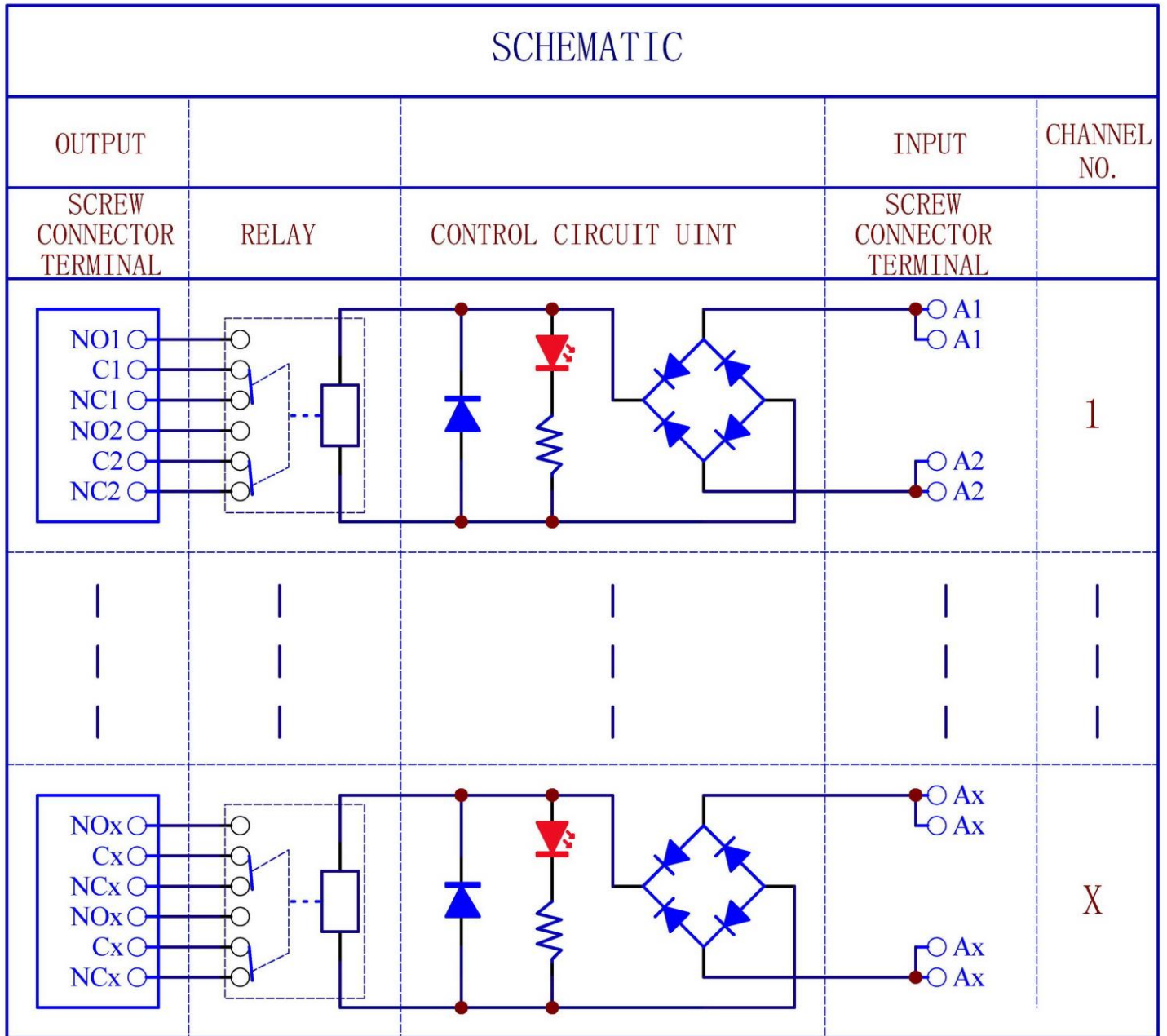
Wire Connect:

- A1: Relay coil operating voltage DC positive (or AC1).
- A2: Relay coil operating voltage DC negative (or AC2).
- NO1: Relay switch normally open terminal.
- NC1: Relay switch normally close terminal.
- C1: Relay switch common terminal.

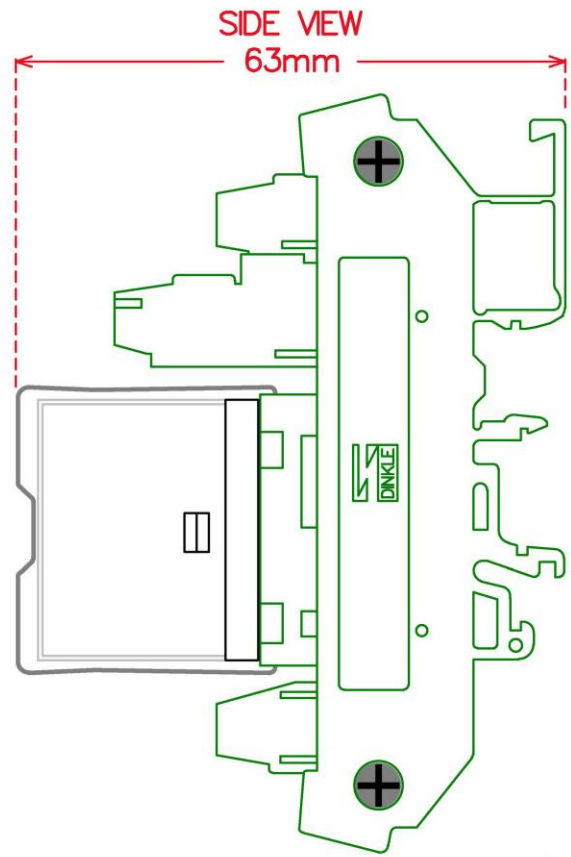
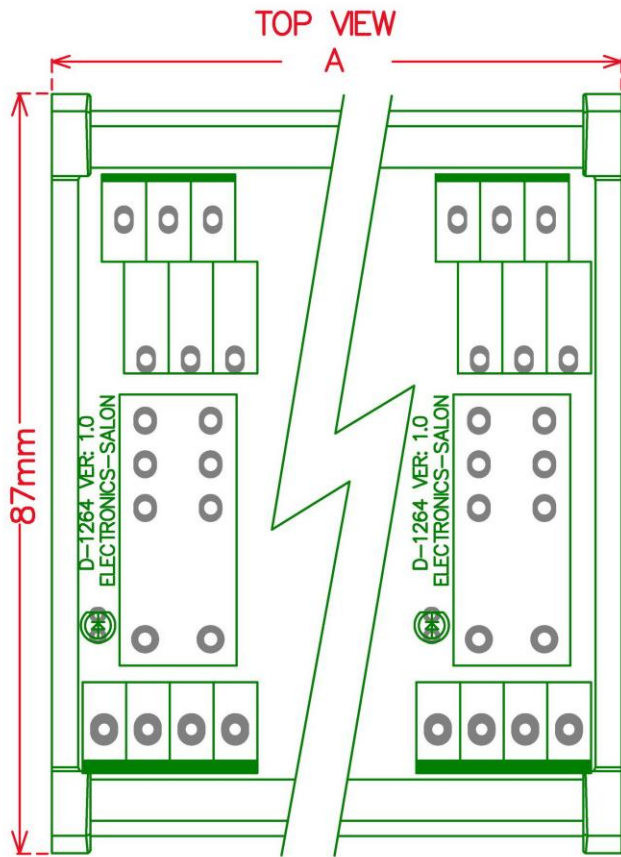
Terminal Block:

- Pitch 5.08mm/0.2" screw terminal block.
- Wire range 24AWG ~ 12AWG / 2.5mm square.
- Strip length 7mm.
- Screws - M2.5, steel, Cr3+ Zn plated. Pin header and Cage - Brass.

Schematic:



Dimensions:



SIZE "A" = $25\text{mm} * n + 2\text{mm}$ (note : $n = 2, 3, 4, 6, 8$ relays)

<https://www.czh-labs.com>

lisheng@chunzehui.com