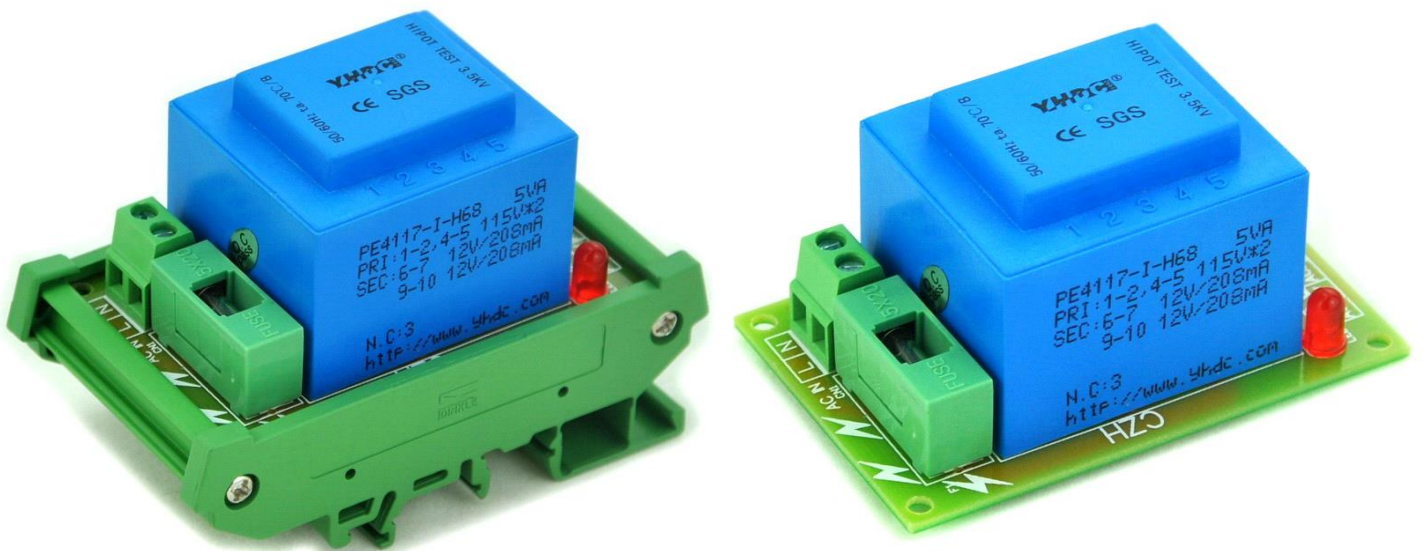


CZH-LABS.com

5VA Power Transformer
Model: D-1005 series



Feature:

DIN rail mount or panel mount to selectable, DIN rail carrier can support width 35mm / 32mm / 15mm rail.

With primary input fuse, fuse holder easy to replace the fuse.

Epoxy resin encapsulated safety isolating transformer.

Screw terminal block easy to connect wires.

Output power indicator LED.

Power transformer characteristic:

Epoxy resin cast in vacuum.

Fire resistance property in accordance with UL94-V0.

Dielectric strength: 3500V/1min.

Work frequency: 50 ~ 60Hz.

No-load current $\leq 20\text{mA}$, no-load loss ≤ 0.5 watt.

Insulation grade: grade B.

Temperature rise: $\leq 22\text{C}$.

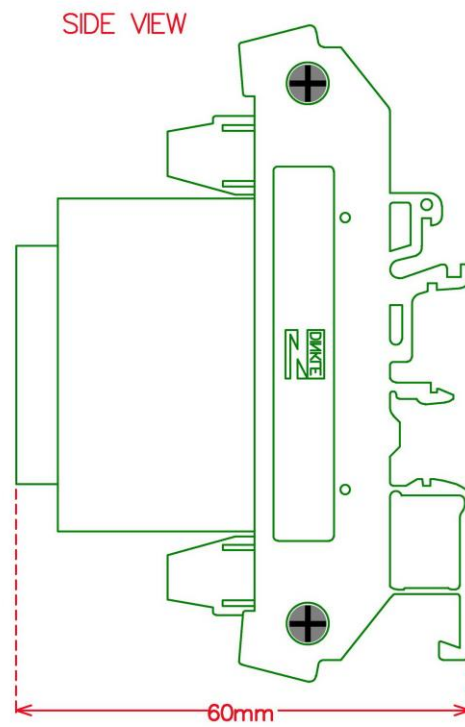
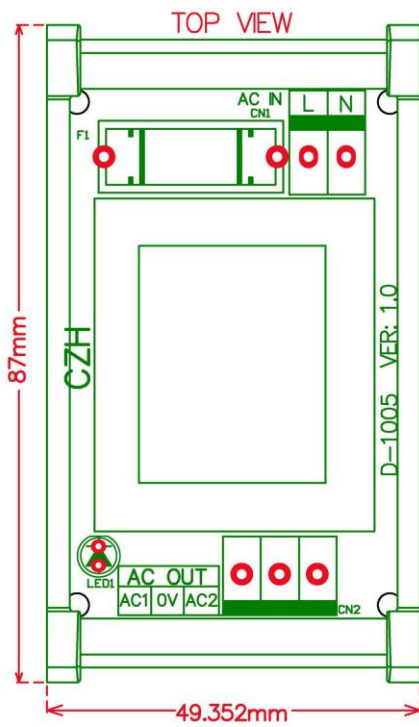
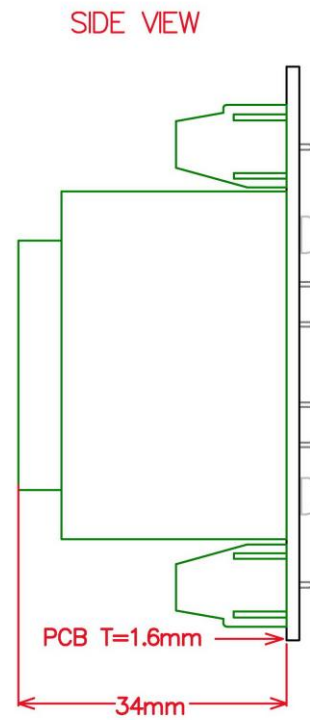
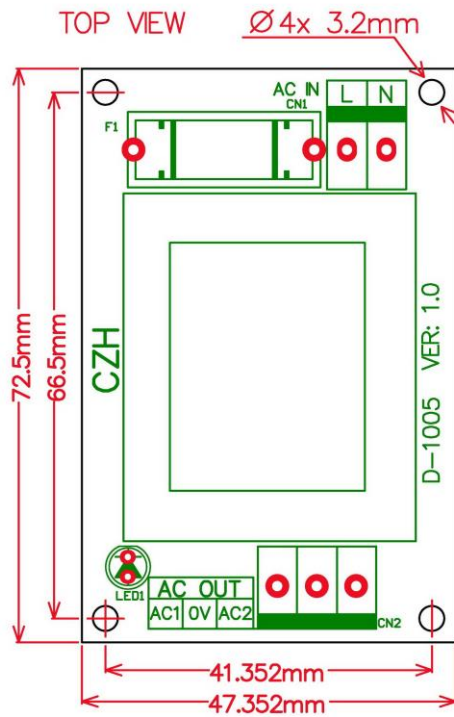
5VA Power Transformer Version List:

Version	Primary input voltage(50/60Hz)	Secondary output voltage, full-load.	Secondary output voltage, no-load	Secondary output current	Schematic
D-1005/A	115VAC +/-10%	12VAC	14.4VAC	416mA	1
D-1005/B	115VAC +/-10%	15VAC	18.2VAC	333mA	
D-1005/C	115VAC +/-10%	18VAC	21.3VAC	277mA	
D-1005/D	115VAC +/-10%	24VAC	28.8VAC	208mA	2
D-1005/E	115VAC +/-10%	30VAC	36.4VAC	166.5mA	
D-1005/F	115VAC +/-10%	36VAC	42.6VAC	138.5mA	
D-1005/G	115VAC +/-10%	12VAC x 2	14.4VAC x 2	208mA x 2	3
D-1005/H	115VAC +/-10%	15VAC x 2	18.2VAC x 2	166.5mA x 2	
D-1005/I	115VAC +/-10%	18VAC x 2	21.3VAC x 2	138.5mA x 2	
D-1005/J	230VAC +/-10%	12VAC	14.4VAC	416mA	4
D-1005/K	230VAC +/-10%	15VAC	18.2VAC	333mA	
D-1005/L	230VAC +/-10%	18VAC	21.3VAC	277mA	
D-1005/M	230VAC +/-10%	24VAC	28.8VAC	208mA	5
D-1005/N	230VAC +/-10%	30VAC	36.4VAC	166.5mA	
D-1005/O	230VAC +/-10%	36VAC	42.6VAC	138.5mA	
D-1005/P	230VAC +/-10%	12VAC x 2	14.4VAC x 2	208mA x 2	6
D-1005/Q	230VAC +/-10%	15VAC x 2	18.2VAC x 2	166.5mA x 2	
D-1005/R	230VAC +/-10%	18VAC x 2	21.3VAC x 2	138.5mA x 2	

Size:

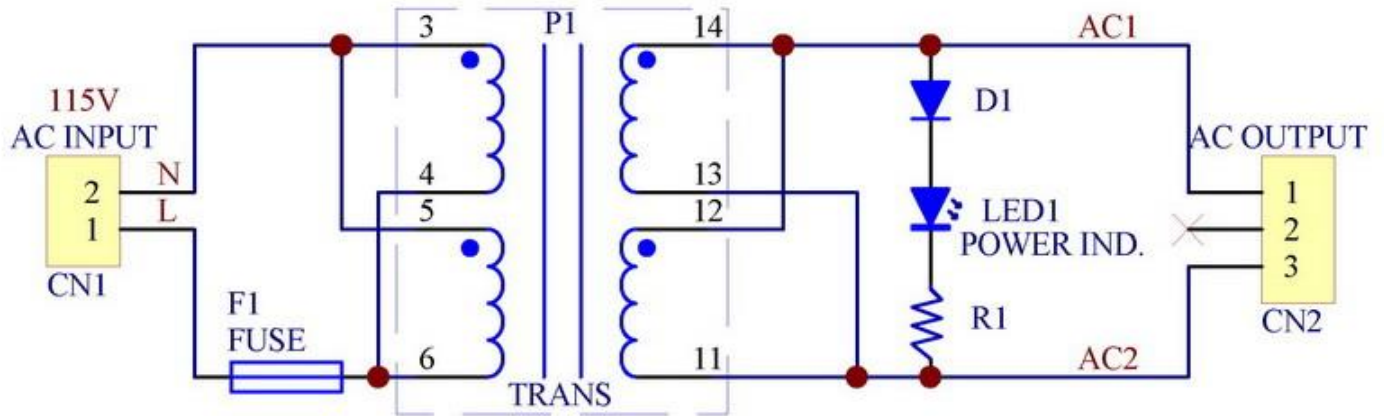
Panel mount version: L47.35mm x W72.5mm x H40mm / L1.86" x W2.85" x H1.60"

DIN rail mount version: L50mm x W87mm x H60mm / L1.97" x W3.43" x H2.40"

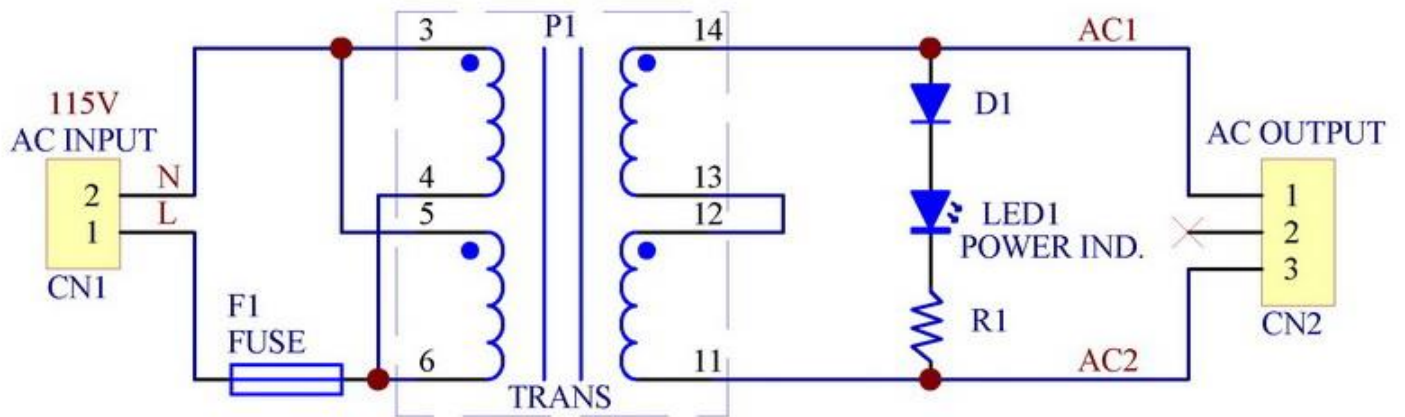


Schematic:

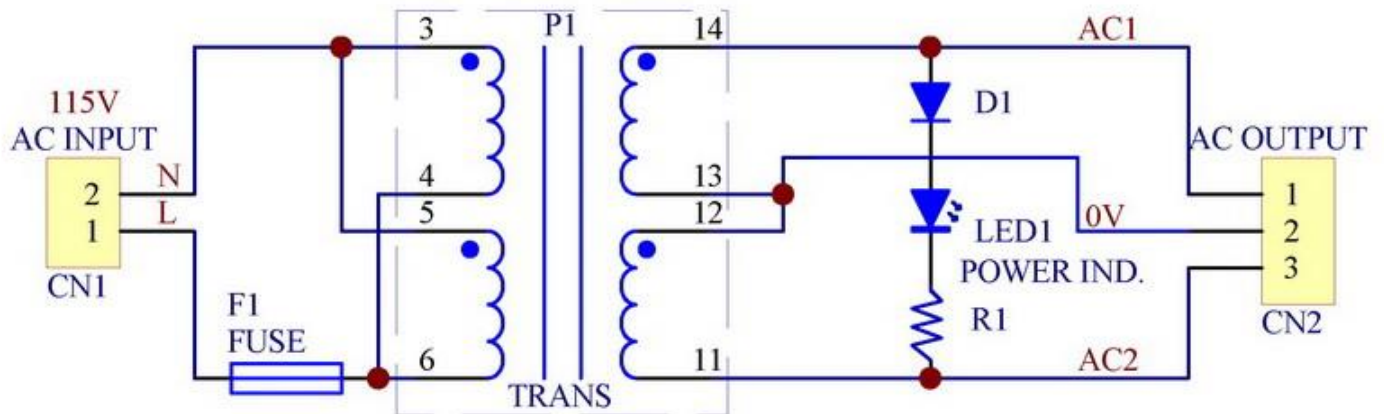
1.



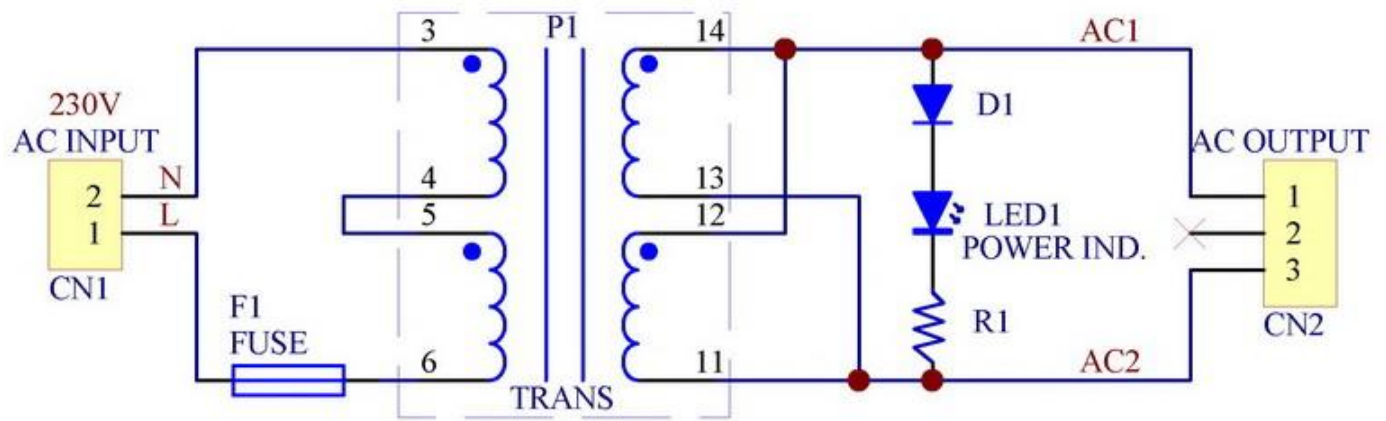
2.



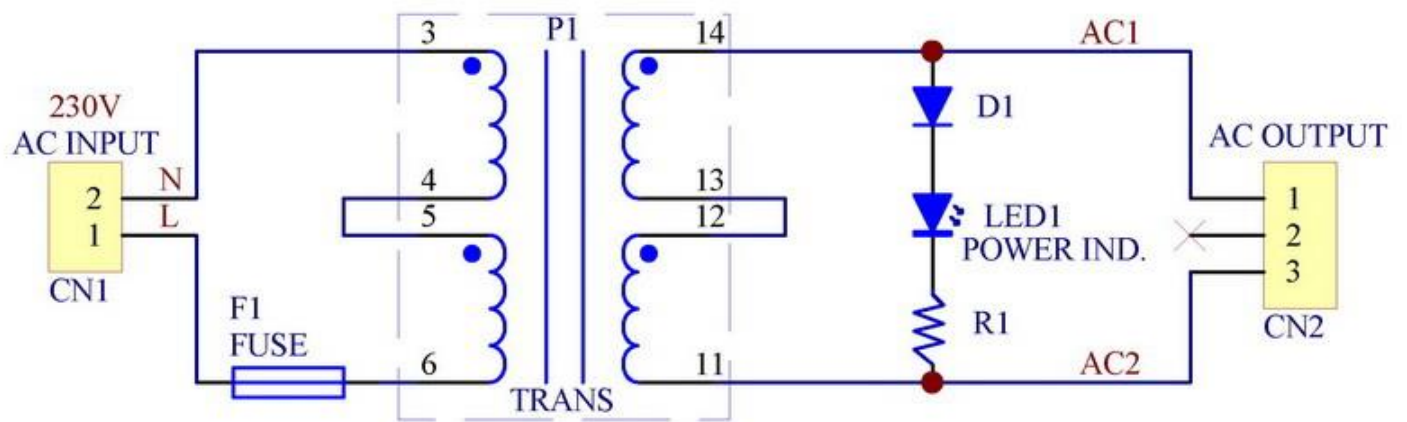
3.



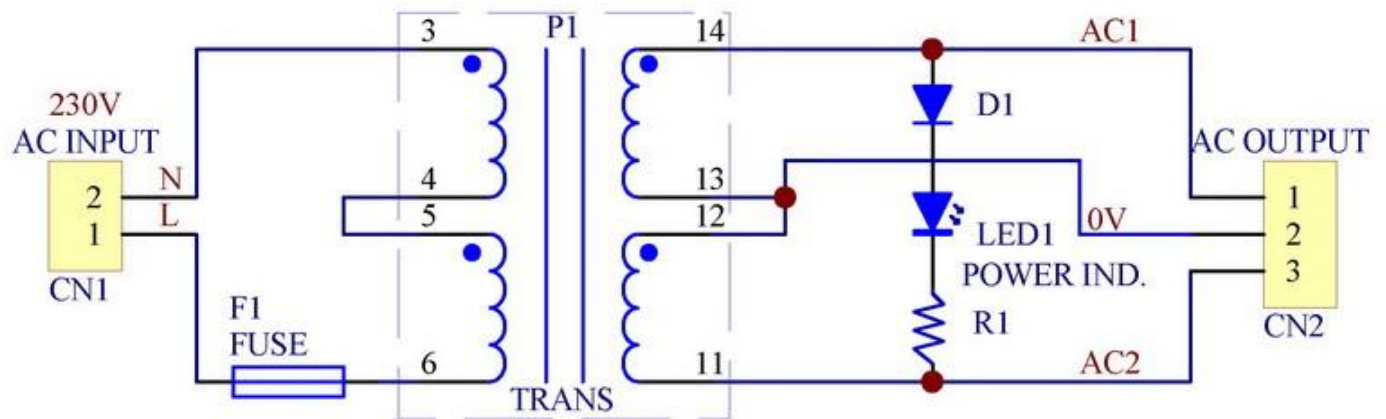
4.



5.



6.



Any questions feel free to contact me: lisheng@chunzehui.com