

# AudioWind Electronics-Salon

## SPECIFICATION

Model: A-200

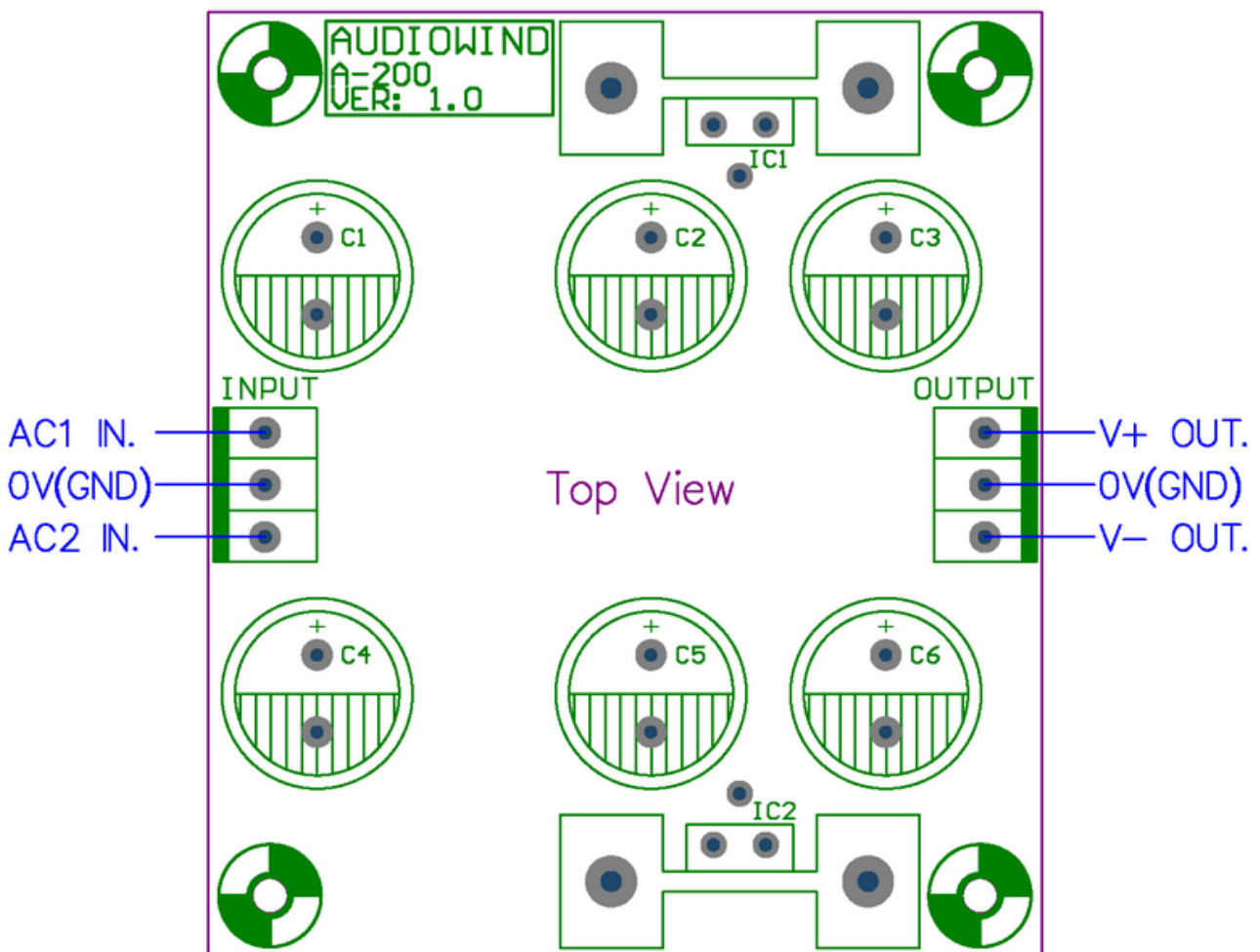


**L**ow noise regulator module, +/-15VDC 500mA output, output noise less than 500uV,  
 Recommended for high-end audio preamplifier circuits.

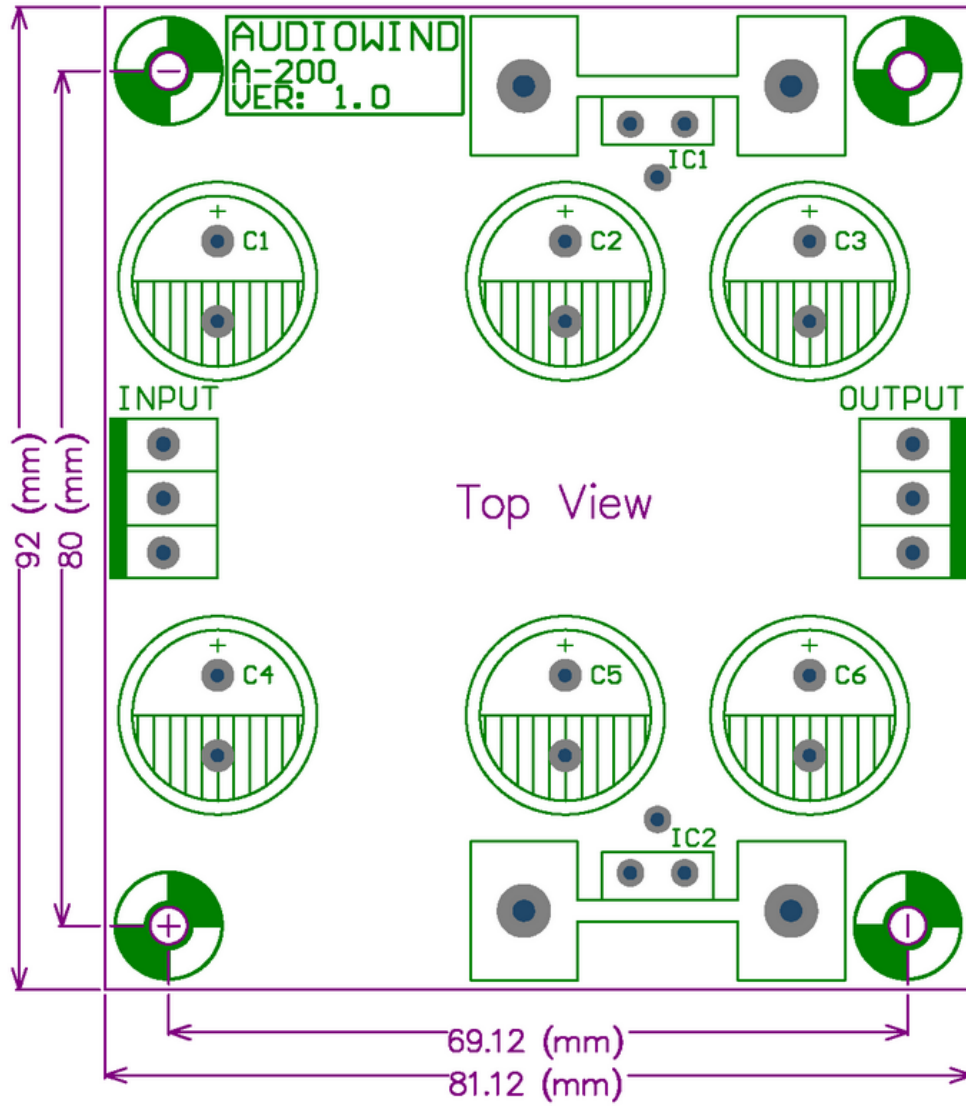
**Specifications:**

Input Voltage	Dual 18VAC
Output Voltage	+/- 15V DC
Output Current	10mA to 500mA (continuous)
Maximum Output Current	1500mA (<10 seconds)
Output Noise (10 - 100k Hz, @ 100mA output)	<500uV / RMS
Module Size	81.12 x 92 x 40 mm (L x W x H) 3.19 x 3.62 x 1.58 inch

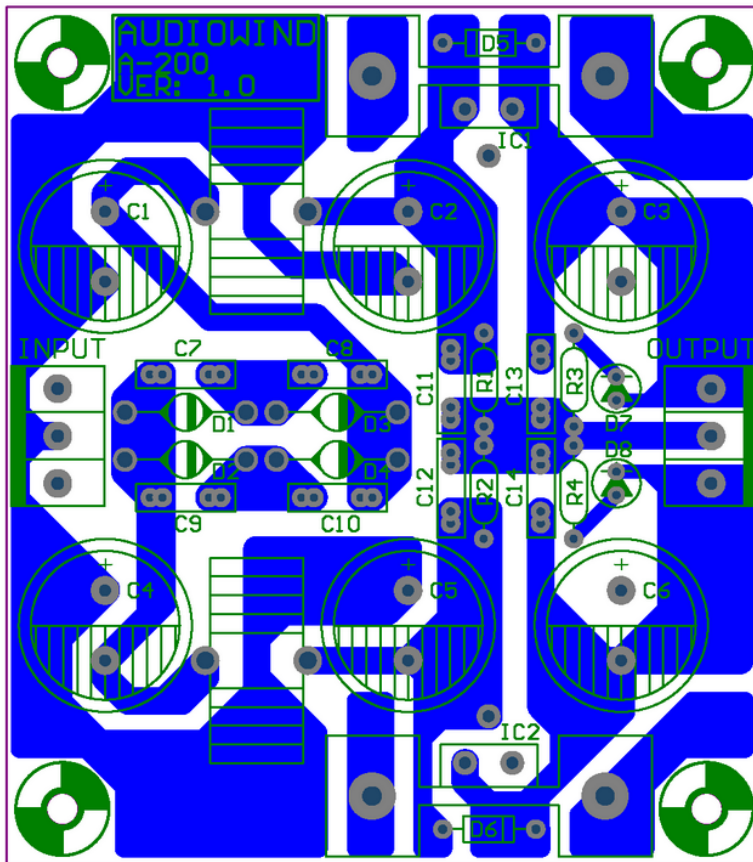
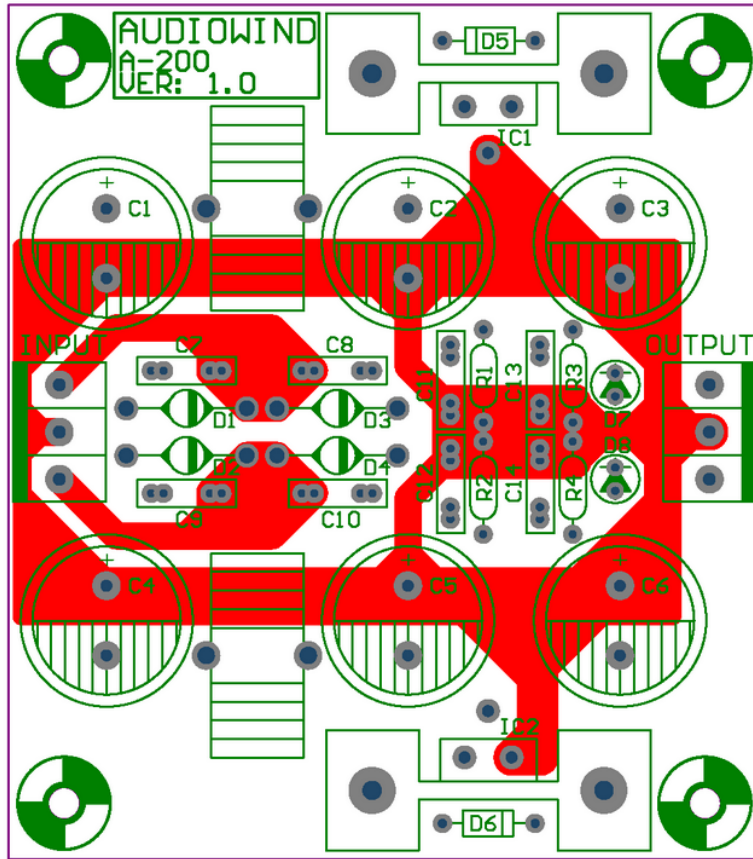
**Wiring diagram:**



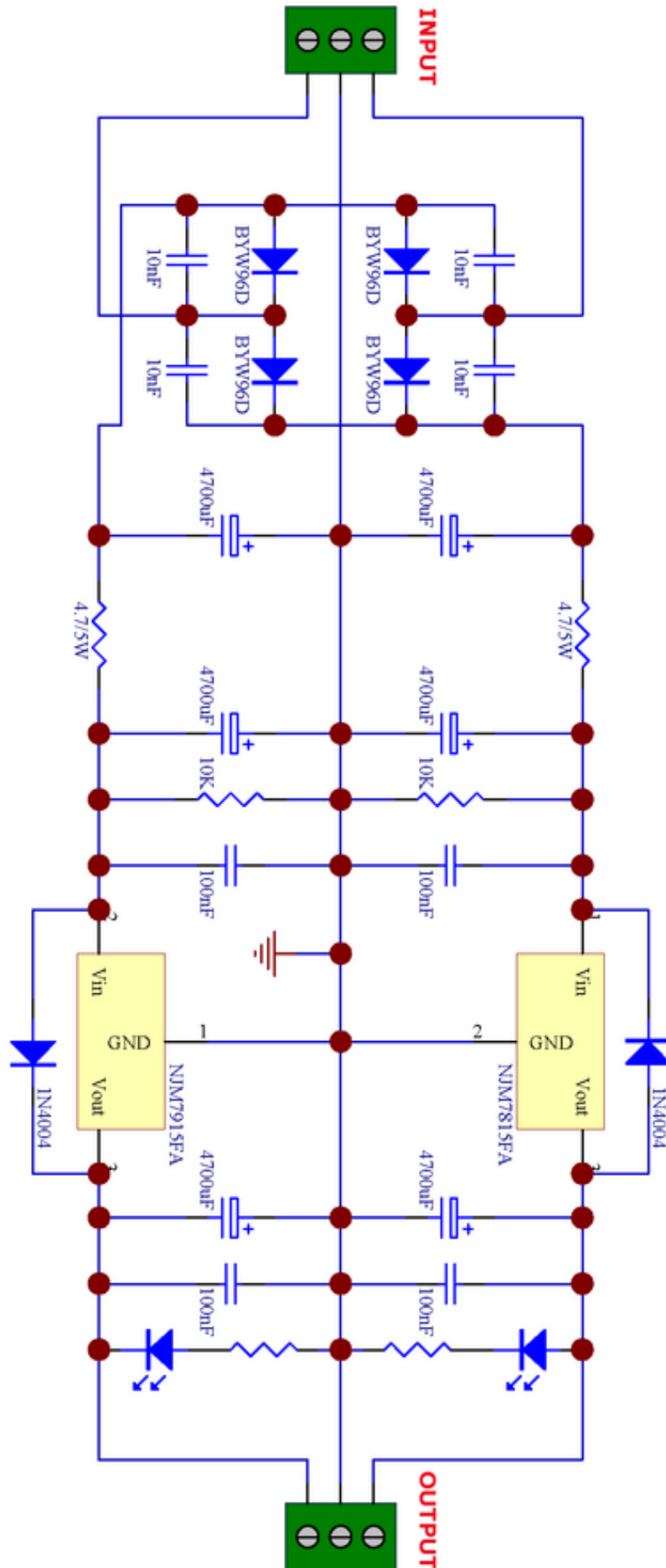
PCB Size:



# PCB Layout:

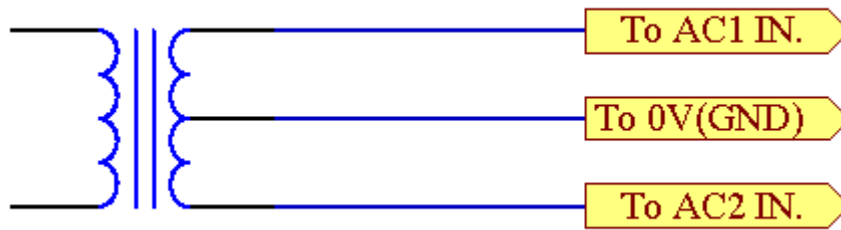


Schematic:



## Input Connections:

For 3 wire output power transformer



For 4 wire output power transformer

