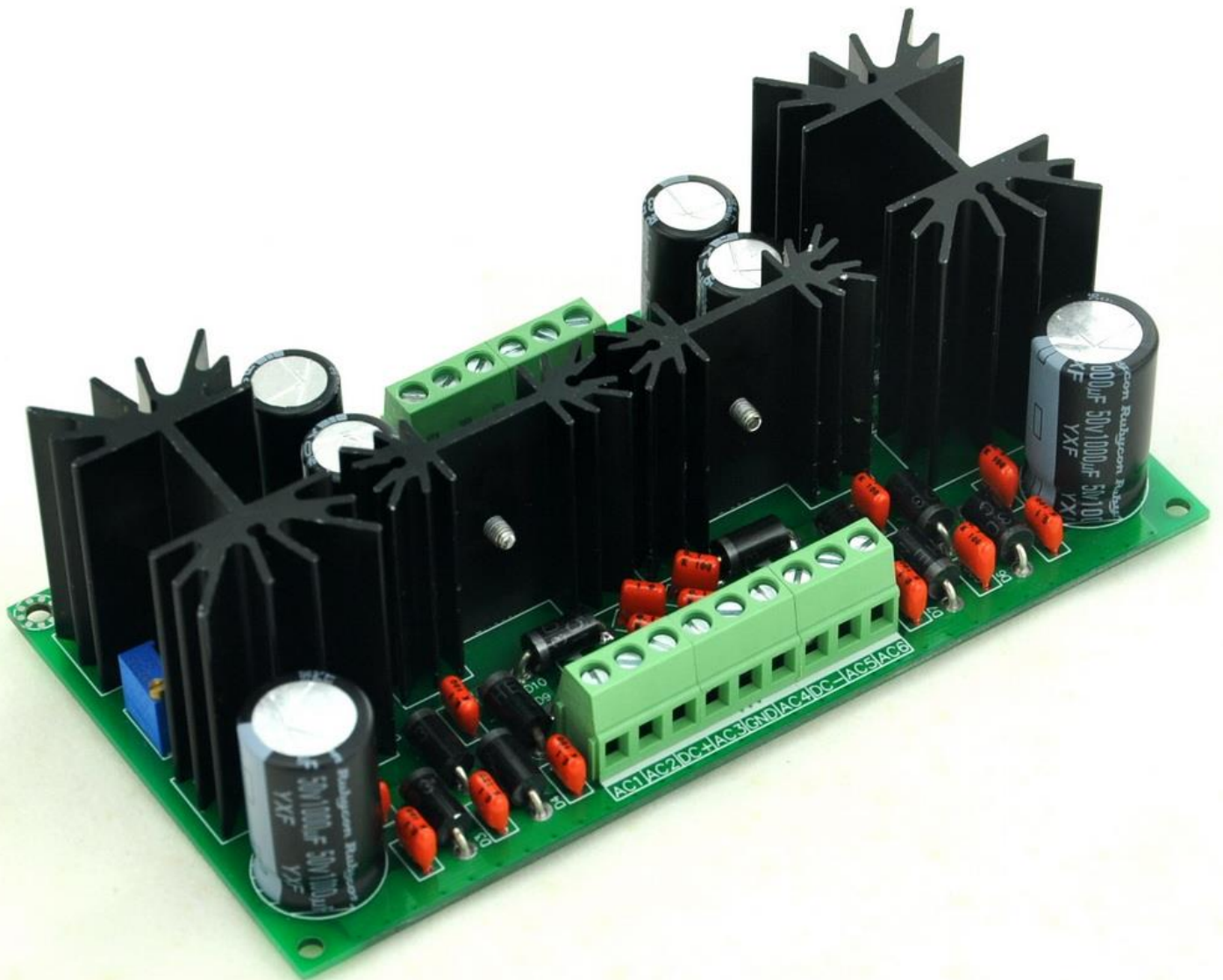


CZH-LABS Electronics-Salon

SPECIFICATION
Model: A-2007 Series



Ultra-low Noise Adjustable Positive/Negative Voltage Regulator, Based on LT1963A & LT1764, for High-end Audio Preamplifier Applications.

Features:

- Ultra-low noise output, positive < 40 μ V, negative < 60 μ V.
- Each channel two-step regulator design, output is more stable.
- Output voltage 1.25 to 20 VDC adjustable.
- Support AC or DC input, and AC mode can support 3 or 4 wire transformer.
- High quality components.

Electrical Characteristics:

Input Voltage*	AC: two 5 to 30V
	DC: +/- 5 to 40V
DC Output Adjustable Range	DC +/- 1.25V to 20V
Default Output Voltage	Multi Versions.
Maximum Output Current	1.5A
Output Noise (10Hz ~ 100kHz)	Positive output < 40 μ V / RMS
	Negative output < 60 μ V / RMS

*** 1, This is a analog regulator module, no step-up function, for example DC input mode, input to output drop voltage must \geq 4VDC.**

2, For AC input mode allow maximum input voltage 30VAC, please note your power transformer no-load voltage do not $>$ 30VAC.

Other electrical specifications, please read IC LT1963A & LT1764 datasheet.

<http://cds.linear.com/docs/en/datasheet/1963aff.pdf>

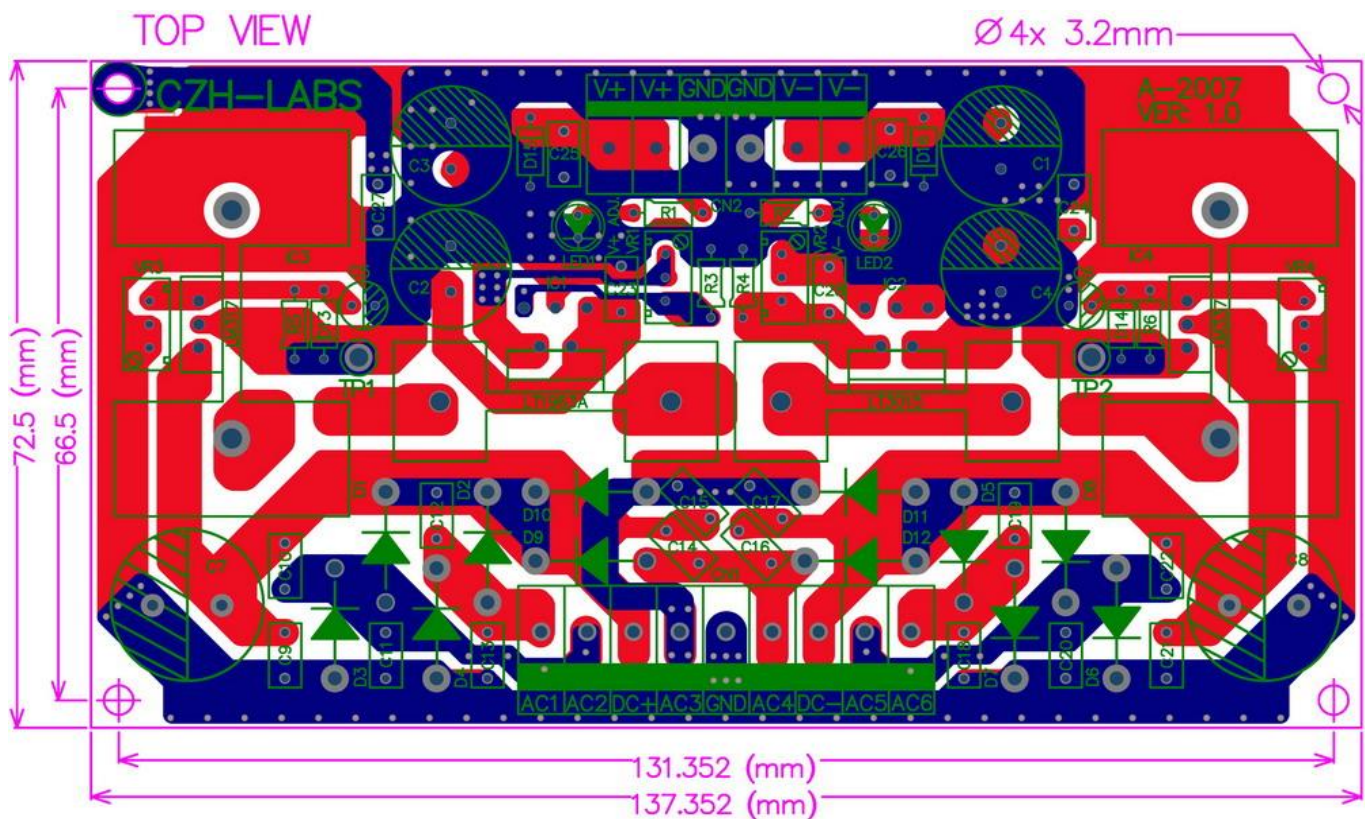
<http://cds.linear.com/docs/en/datasheet/3015fb.pdf>

Multi Version Input Voltage VS Output Range:

Input Voltage	Default Output Voltage Version	Output Adjustable Range
AC: TWO 9 ~ 30V, or DC: +/- 9 ~ 40V	+/- 5VDC	+/- 1.25 to 5V DC
AC: TWO 12 ~ 30V, or DC: +/- 13 ~ 40V	+/- 9VDC	+/- 1.25 to 9V DC
AC: TWO 14.5 ~ 30V, or DC: +/- 16 ~ 40V	+/- 12VDC	+/- 1.25 to 12V DC
AC: TWO 17 ~ 30V, or DC: +/- 19 ~ 40V	+/- 15VDC	+/- 1.25 to 15V DC
AC: TWO 19.5 ~ 30V, or DC: +/- 22 ~ 40V	+/- 18VDC	+/- 1.25 to 18V DC
AC: TWO 21 ~ 30V, or DC: +/- 24 ~ 40V	+/- 20VDC	+/- 1.25 to 20V DC

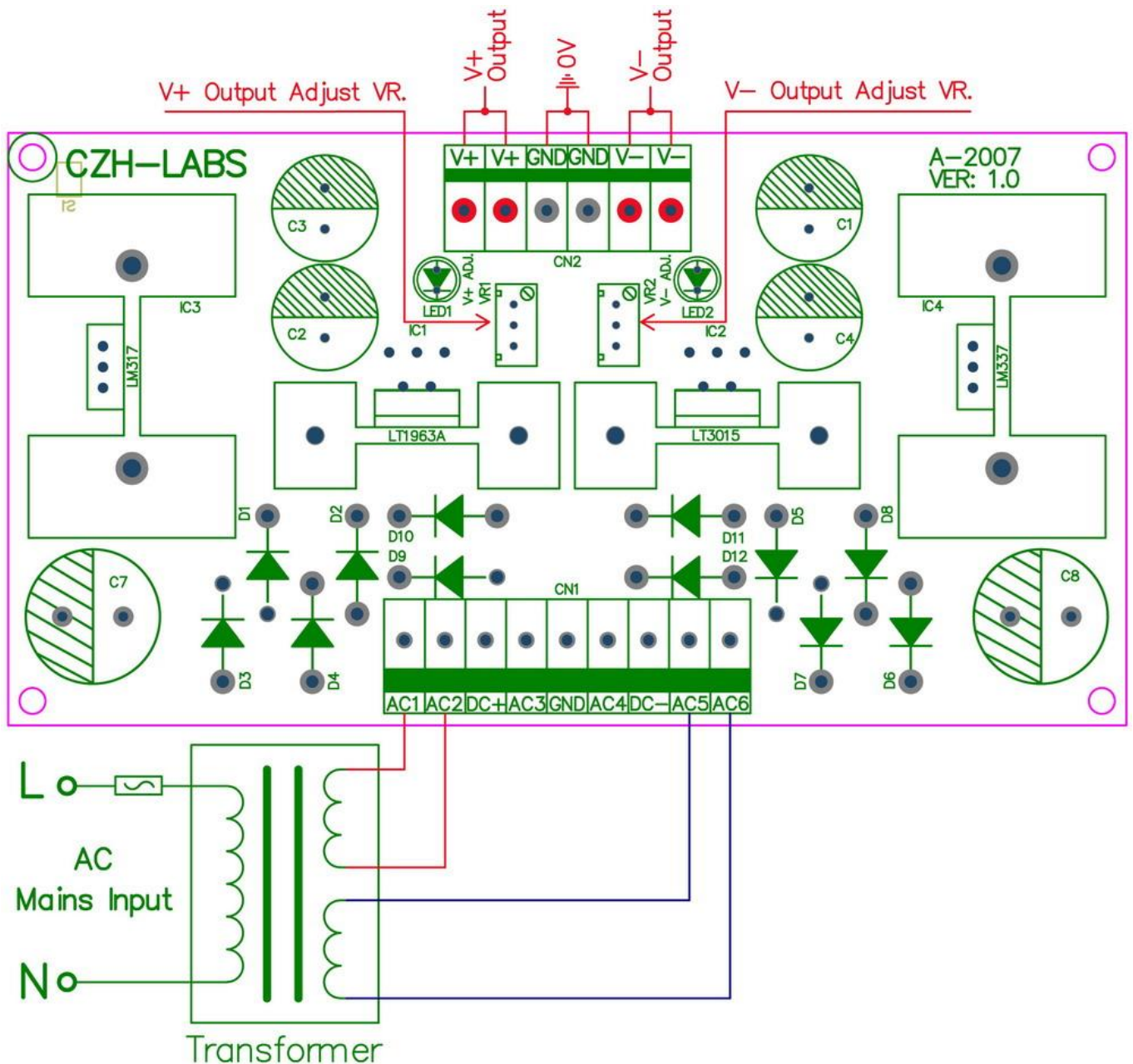
Note: All versions of the components specification/value are the same, just trimmer potentiometers adjustment different values.

PCB Mount Dimensions:

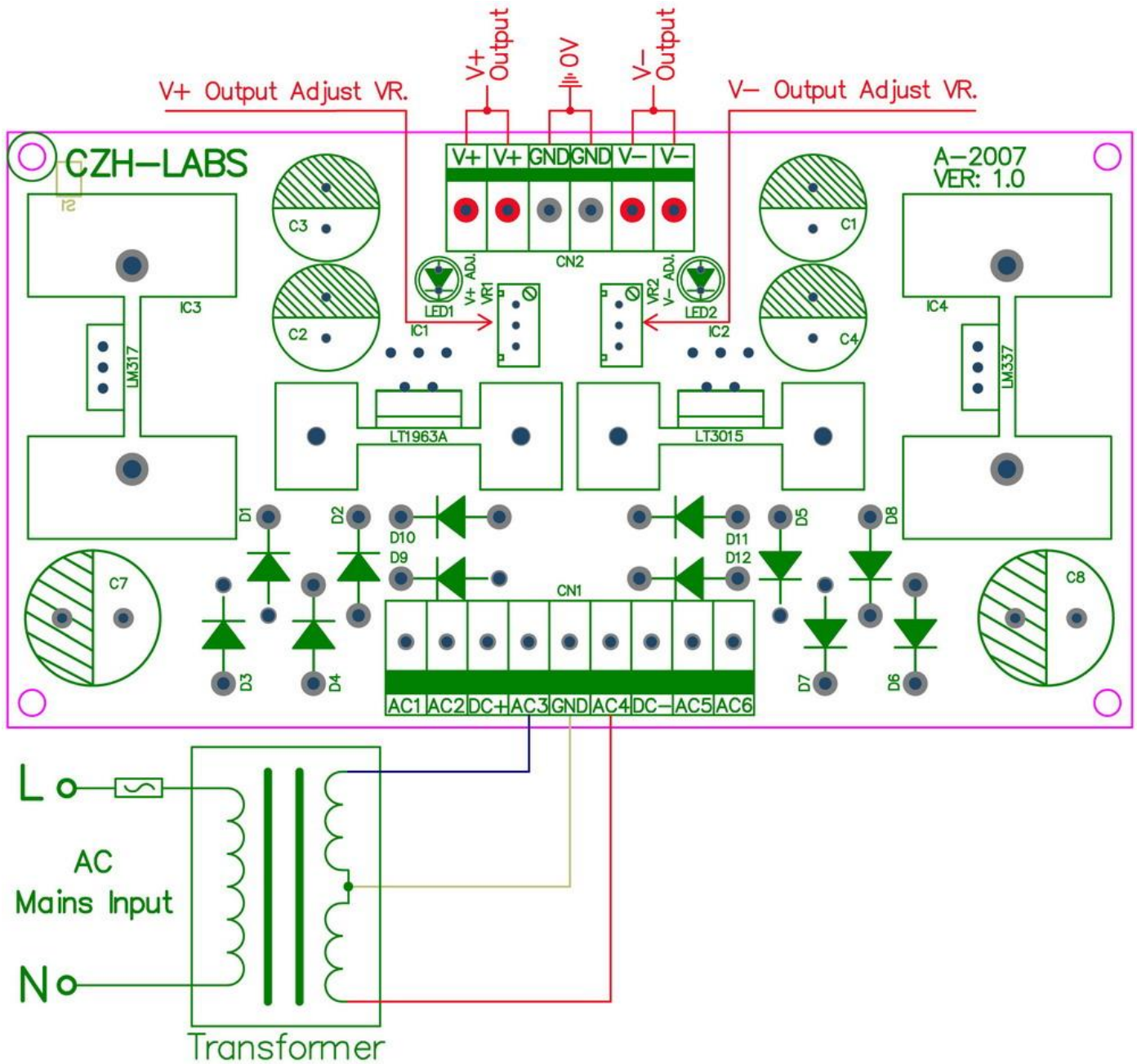


Input and Output Terminal Block Connect:

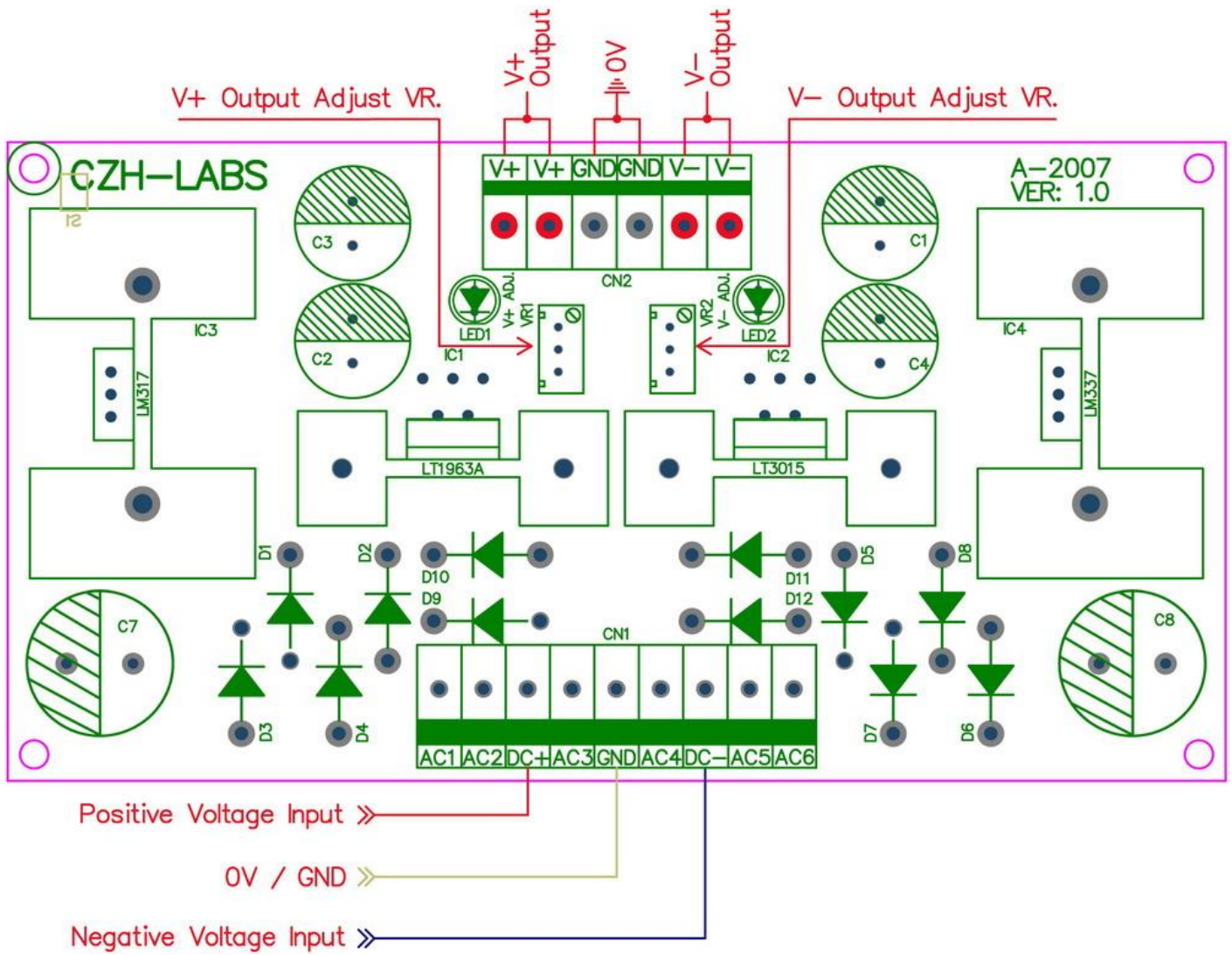
1, For AC input, 4-wires output power transformer(or two 2-wires output transformer).



2, For AC input, 3-wires output power transformer.



3, For DC input.



Schematic:

