



**Feature:**

**With primary and secondary fuses, fuse holder easy to replace the fuse.**

**Epoxy resin encapsulated safety isolating toroidal transformer.**

**High quality PCB housing/carrier, DIN rail mountable - for width 35 / 32 / 15mm rails.**

**DIN mount carrier can be taken apart for panel mount use.**

**Screw terminal block easy to connect wires.**

**Output power indicator LED.**

**Recommend for high-end audio, medical equipment, military engineering applications.**

**Power transformer characteristic:**

**Epoxy resin cast in vacuum.**

**Small leakage, low noise, high efficiency.**

**Fire resistance property in accordance with UL94-V0.**

**Dielectric strength: 4000V/1min.**

**Work frequency: 50 ~ 60Hz.**

**Voltage regulation: 15VA version:  $\leq 20\%$ , 25VA version  $\leq 15\%$ .**

**No-load loss: 15VA version:  $\leq 0.3VA$ , 25VA version  $\leq 0.5VA$ .**

**Insulation grade: grade B.**

**The highest use temperature: 60C.**

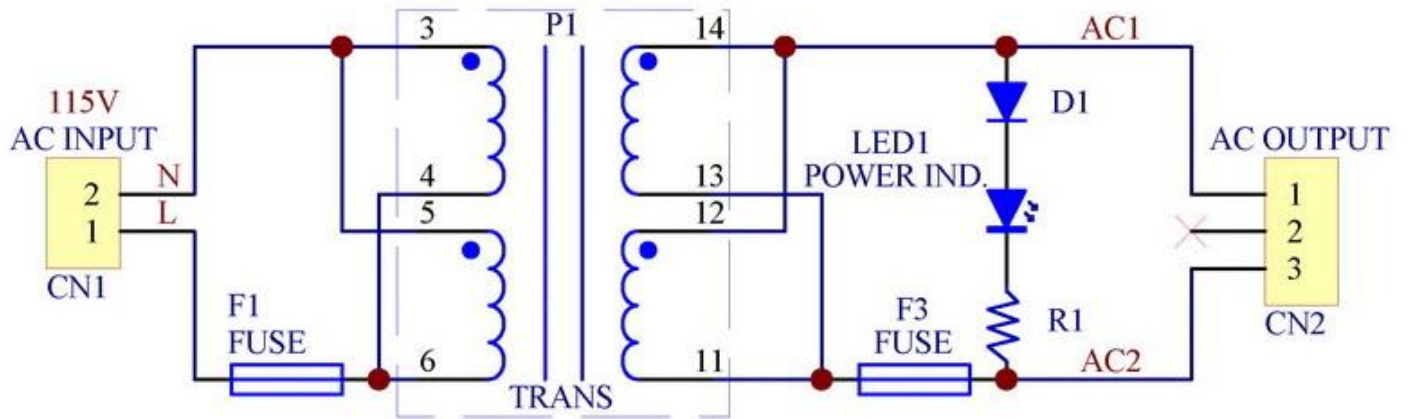
**Certification: CE RoHS CQC.**

**Version List:**

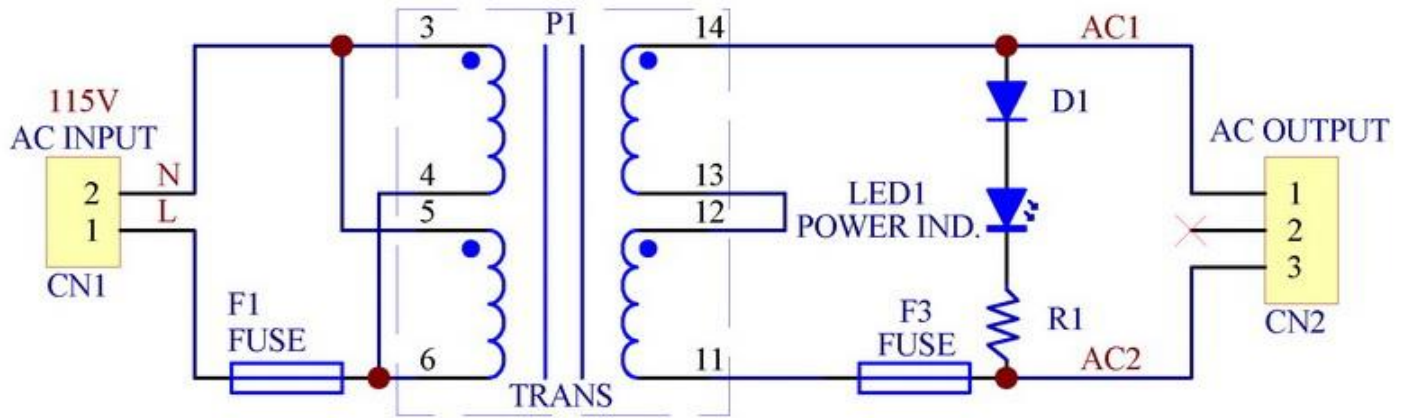
Version	Primary input voltage(50/60Hz)	Secondary output voltage, full-load.	Output Power	Secondary output current	Schematic
D-1004T/A	115VAC +/-10%	15VAC	15VA	1000mA	1
D-1004T/B	115VAC +/-10%	18VAC	15VA	834mA	
D-1004T/C	115VAC +/-10%	30VAC	15VA	500mA	2
D-1004T/D	115VAC +/-10%	36VAC	15VA	417mA	
D-1004T/E	115VAC +/-10%	15VAC x 2	15VA	500mA x 2	3
D-1004T/F	115VAC +/-10%	18VAC x 2	15VA	417mA x 2	
D-1004T/G	<b>230VAC +/-10%</b>	15VAC	15VA	1000mA	4
D-1004T/H	<b>230VAC +/-10%</b>	18VAC	15VA	834mA	
D-1004T/I	<b>230VAC +/-10%</b>	30VAC	15VA	500mA	5
D-1004T/J	<b>230VAC +/-10%</b>	36VAC	15VA	417mA	
D-1004T/K	<b>230VAC +/-10%</b>	15VAC x 2	15VA	500mA x 2	6
D-1004T/L	<b>230VAC +/-10%</b>	18VAC x 2	15VA	417mA x 2	
D-1004T/M	115VAC +/-10%	15VAC	<b>25VA</b>	1660mA	1
D-1004T/N	115VAC +/-10%	18VAC	<b>25VA</b>	1380mA	
D-1004T/O	115VAC +/-10%	30VAC	<b>25VA</b>	830mA	2
D-1004T/P	115VAC +/-10%	36VAC	<b>25VA</b>	690mA	
D-1004T/Q	115VAC +/-10%	15VAC x 2	<b>25VA</b>	830mA x 2	3
D-1004T/R	115VAC +/-10%	18VAC x 2	<b>25VA</b>	690mA x 2	
D-1004T/S	<b>230VAC +/-10%</b>	15VAC	<b>25VA</b>	1660mA	4
D-1004T/T	<b>230VAC +/-10%</b>	18VAC	<b>25VA</b>	1380mA	
D-1004T/U	<b>230VAC +/-10%</b>	30VAC	<b>25VA</b>	830mA	5
D-1004T/V	<b>230VAC +/-10%</b>	36VAC	<b>25VA</b>	690mA	
D-1004T/W	<b>230VAC +/-10%</b>	15VAC x 2	<b>25VA</b>	830mA x 2	6
D-1004T/X	<b>230VAC +/-10%</b>	18VAC x 2	<b>25VA</b>	690mA x 2	

# Schematic:

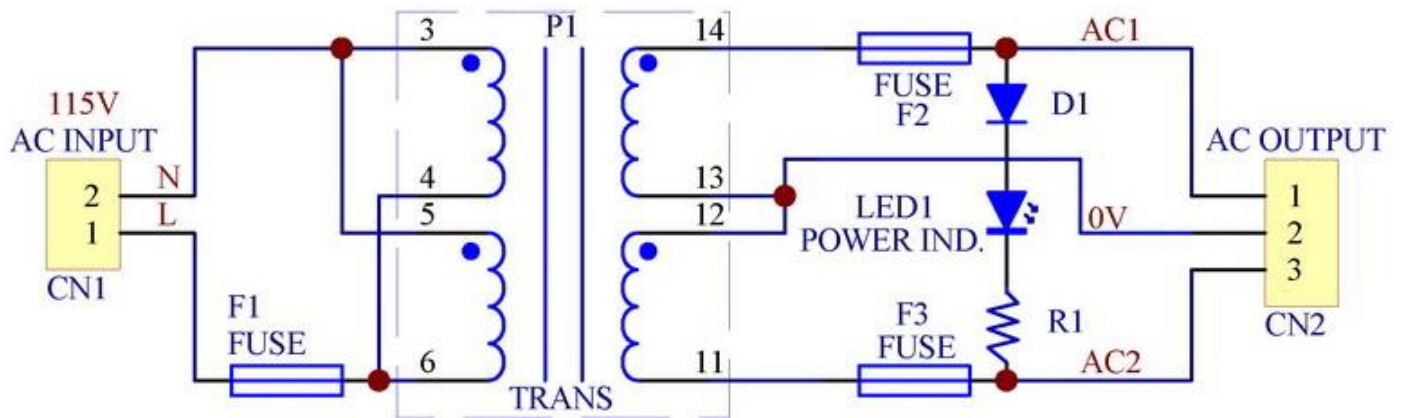
1.



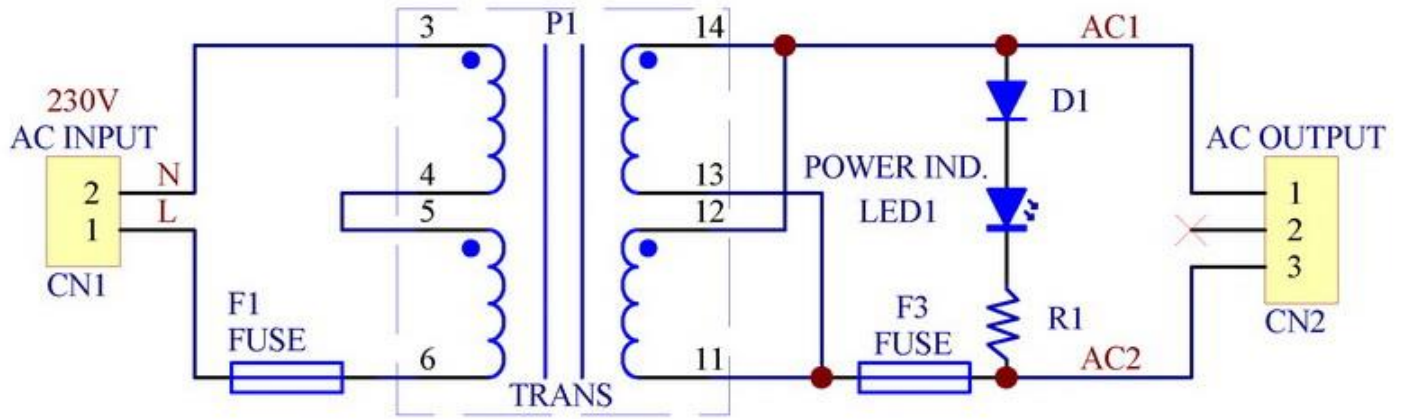
2.



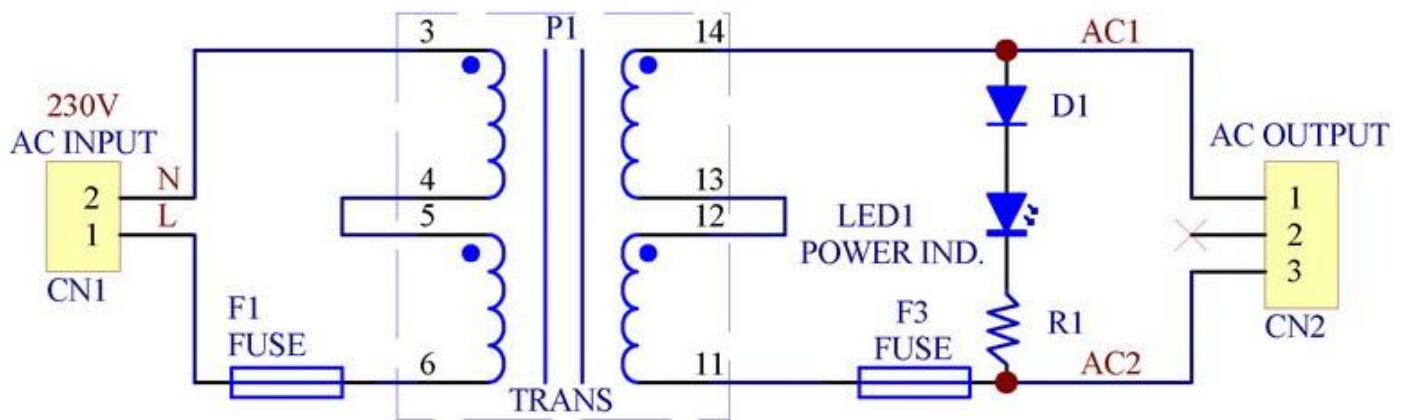
3.



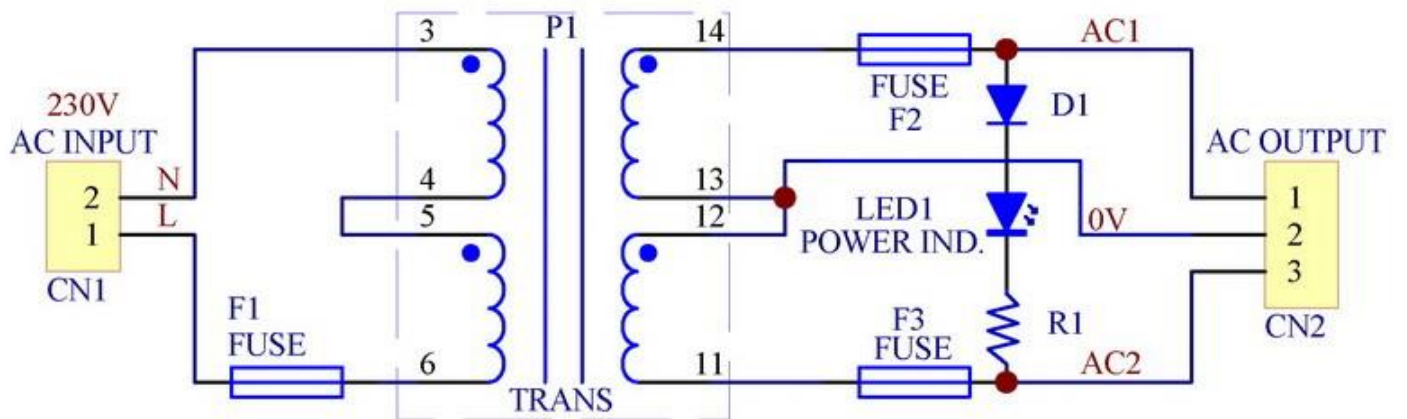
4.



5.

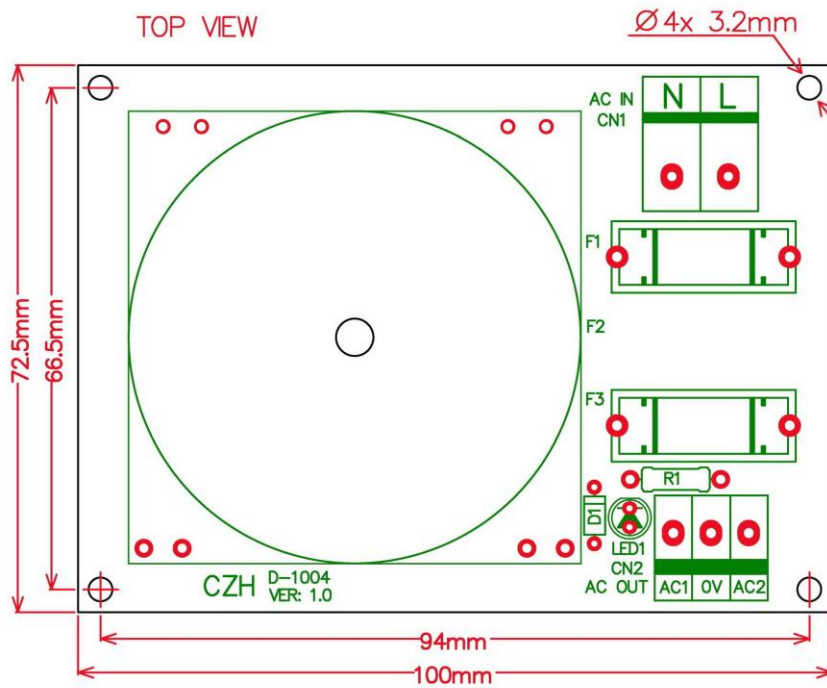


6.

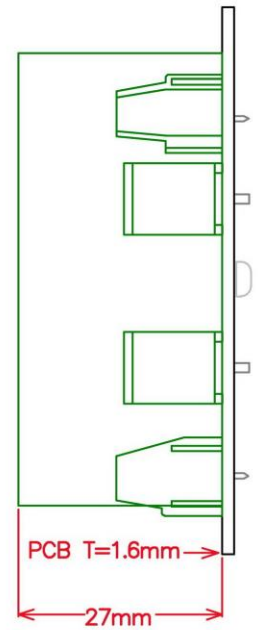


Size:

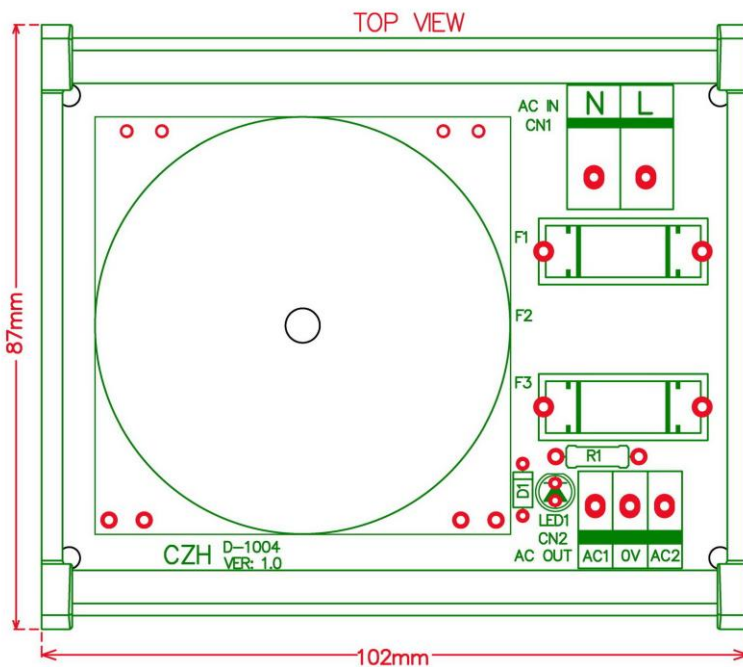
### 15VA Panel mount (without DIN rail carrier)



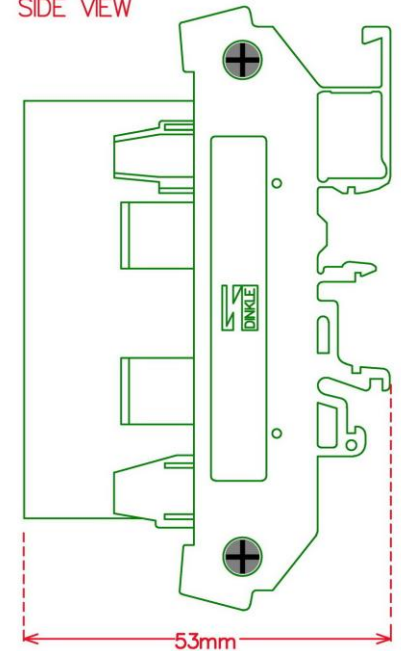
SIDE VIEW



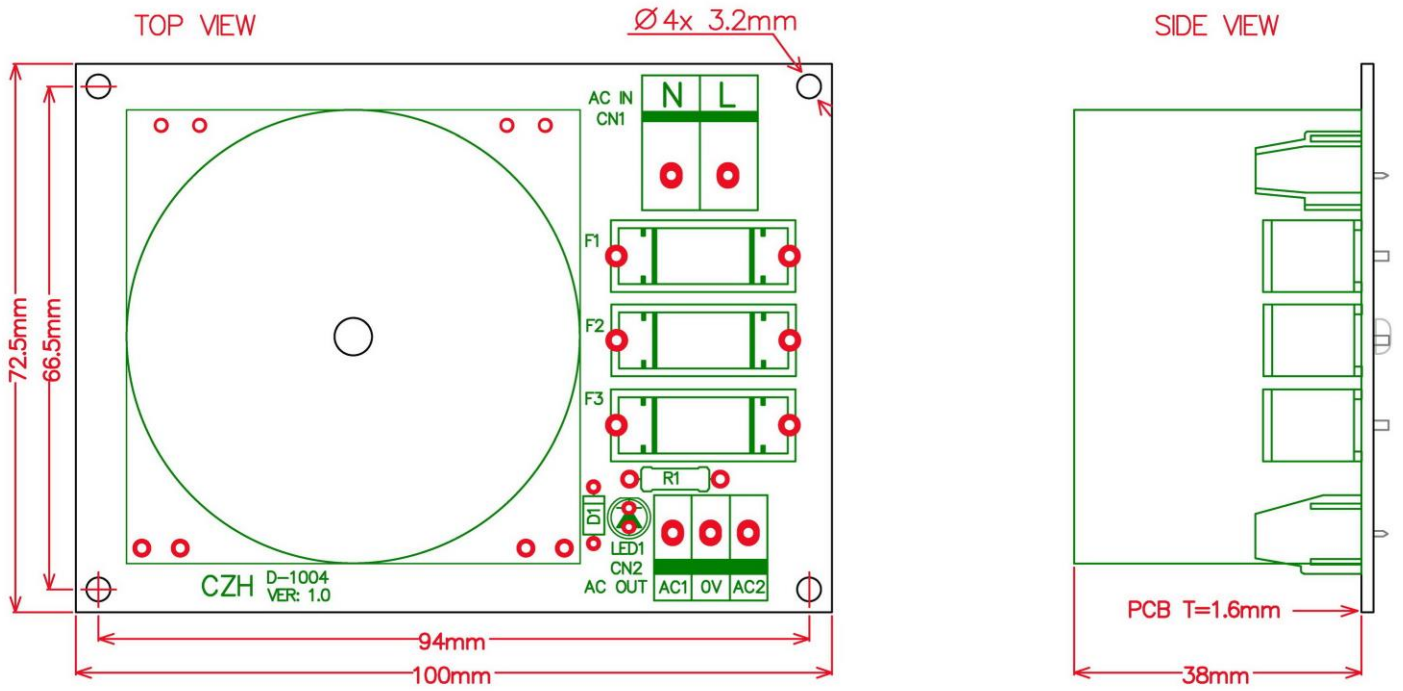
### 15VA DIN rail mount (with DIN rail carrier)



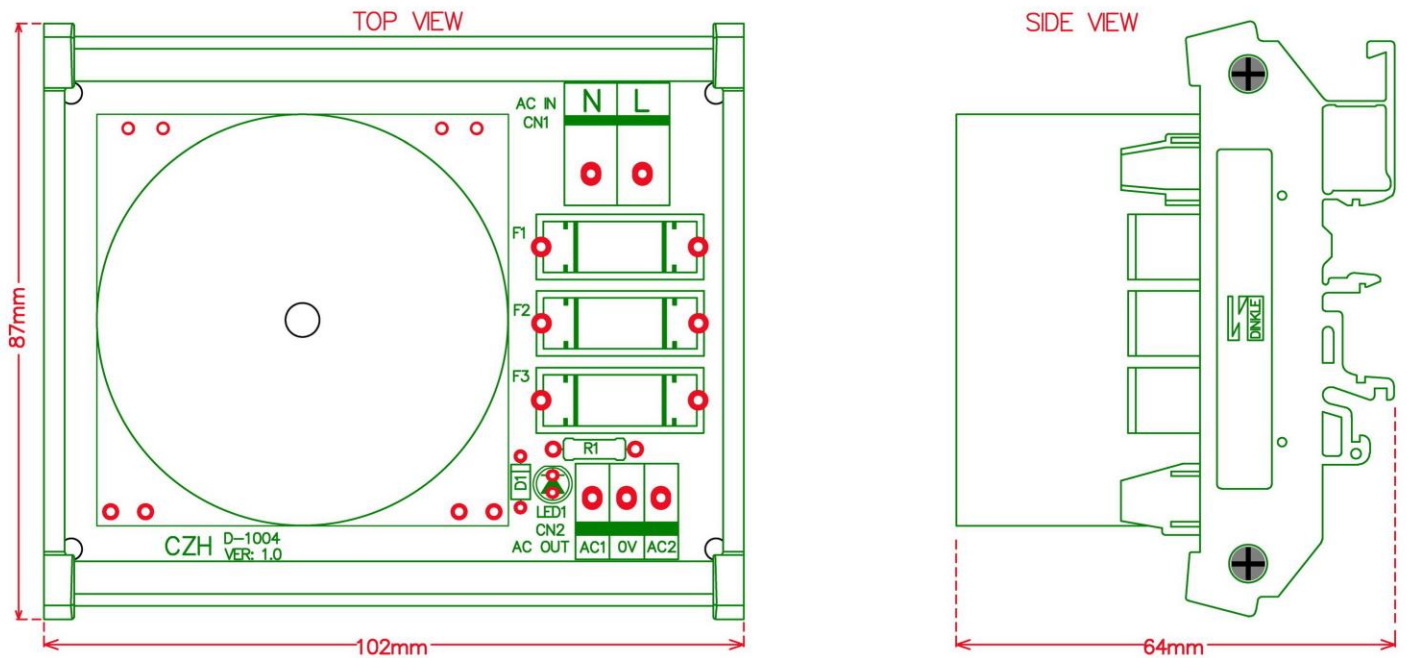
SIDE VIEW



## 25VA Panel mount (without DIN rail carrier)



## 25VA DIN rail mount (with DIN rail carrier)



Any questions feel free to contact me: [lisheng@chunzehui.com](mailto:lisheng@chunzehui.com)