



**Feature:**

**DIN rail mount or panel mount to selectable, DIN rail carrier can support width 35mm / 32mm / 15mm rail.**

**With primary input fuse, fuse holder easy to replace the fuse.**

**Epoxy resin encapsulated safety isolating transformer.**

**Screw terminal block easy to connect wires.**

**Output power indicator LED.**

**Power transformer characteristic:**

**Epoxy resin cast in vacuum, 100C / 6 hours of high temperature aging, life expectancy of 20 years, high dielectric strength.**

**PBT plastic, environmental protection, flame retardant, 120 degrees is not deformed.**

**High quality silicon steel, low temperature, high efficiency**

**Fire resistance property in accordance with UL94-V0.**

**Work ambient temperature: -30C ~ +50C**

**Insulation rating: Class B (+130C)**

**Dielectric strength: 3500VAC/1min 5mA.**

**Work frequency: 50 ~ 60Hz.**

**Voltage Regulation <15%**

**No-load loss <=1.2 watt.**

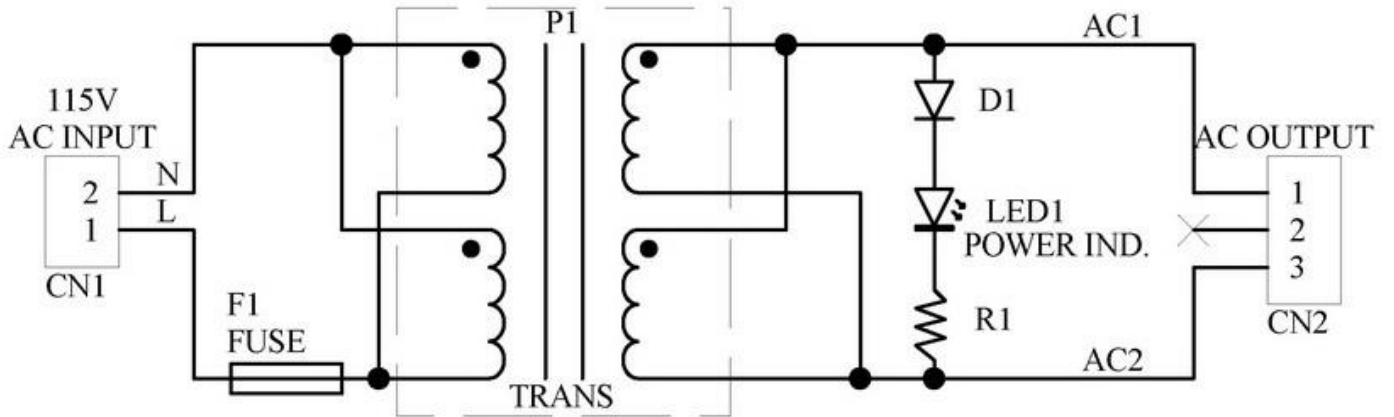
**Temperature rise: <= 28C.**

**20VA Power Transformer Version List:**

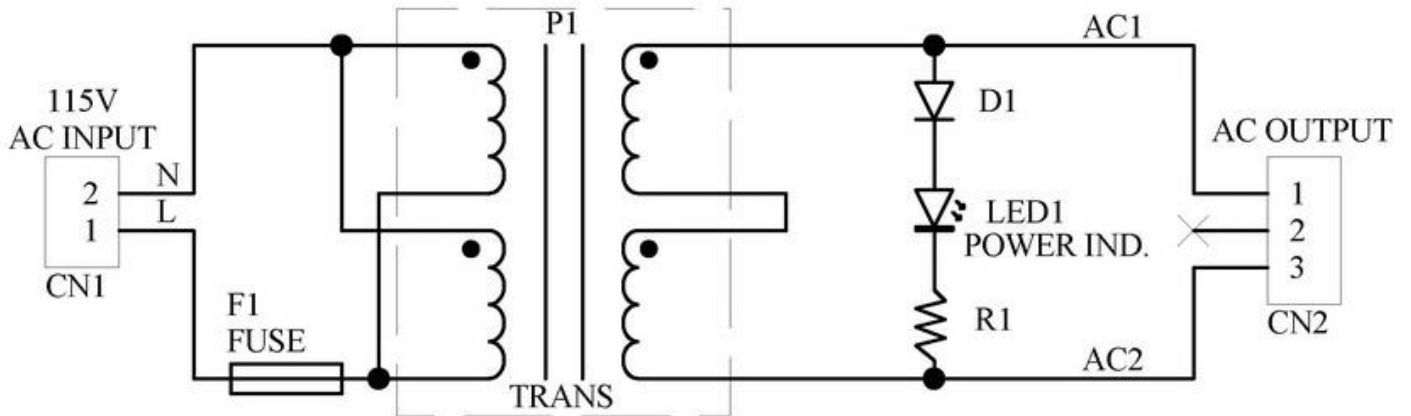
Version	Primary input voltage(50/60Hz)	Secondary output voltage, full-load.	Secondary output voltage, no-load	Secondary output current	Schematic
D-1033/A	115VAC +/-10%	9VAC	10.3VAC	2.22A	1
D-1033/B	115VAC +/-10%	12VAC	13.8VAC	1.66A	
D-1033/C	115VAC +/-10%	15VAC	17.2VAC	1.34A	
D-1033/D	115VAC +/-10%	18VAC	20.7VAC	1.1A	
D-1033/E	115VAC +/-10%	24VAC	27.6VAC	0.84A	
D-1033/F	115VAC +/-10%	30VAC	34.5VAC	0.67A	
D-1033/G	115VAC +/-10%	36VAC	41.4VAC	0.55A	2
D-1033/H	115VAC +/-10%	48VAC	55.2VAC	0.42A	
D-1033/I	115VAC +/-10%	9VAC x 2	10.3VAC	1.11A x 2	3
D-1033/J	115VAC +/-10%	12VAC x 2	13.8VAC	0.83A x 2	
D-1033/K	115VAC +/-10%	15VAC x 2	17.2VAC	0.67A x 2	
D-1033/L	115VAC +/-10%	18VAC x 2	20.7VAC	0.55A x 2	
D-1033/M	115VAC +/-10%	24VAC x 2	27.6VAC	0.42A x 2	
D-1033/N	230VAC +/-10%	9VAC	10.3VAC	2.22A	
D-1033/O	230VAC +/-10%	12VAC	13.8VAC	1.66A	
D-1033/P	230VAC +/-10%	15VAC	17.2VAC	1.34A	
D-1033/Q	230VAC +/-10%	18VAC	20.7VAC	1.1A	
D-1033/R	230VAC +/-10%	24VAC	27.6VAC	0.84A	
D-1033/S	230VAC +/-10%	30VAC	34.5VAC	0.67A	
D-1033/T	230VAC +/-10%	36VAC	41.4VAC	0.55A	5
D-1033/U	230VAC +/-10%	48VAC	55.2VAC	0.42A	
D-1033/V	230VAC +/-10%	9VAC x 2	10.3VAC	1.11A x 2	6
D-1033/W	230VAC +/-10%	12VAC x 2	13.8VAC	0.83A x 2	
D-1033/X	230VAC +/-10%	15VAC x 2	17.2VAC	0.67A x 2	
D-1033/Y	230VAC +/-10%	18VAC x 2	20.7VAC	0.55A x 2	
D-1033/Z	230VAC +/-10%	24VAC x 2	27.6VAC	0.42A x 2	

# Schematic:

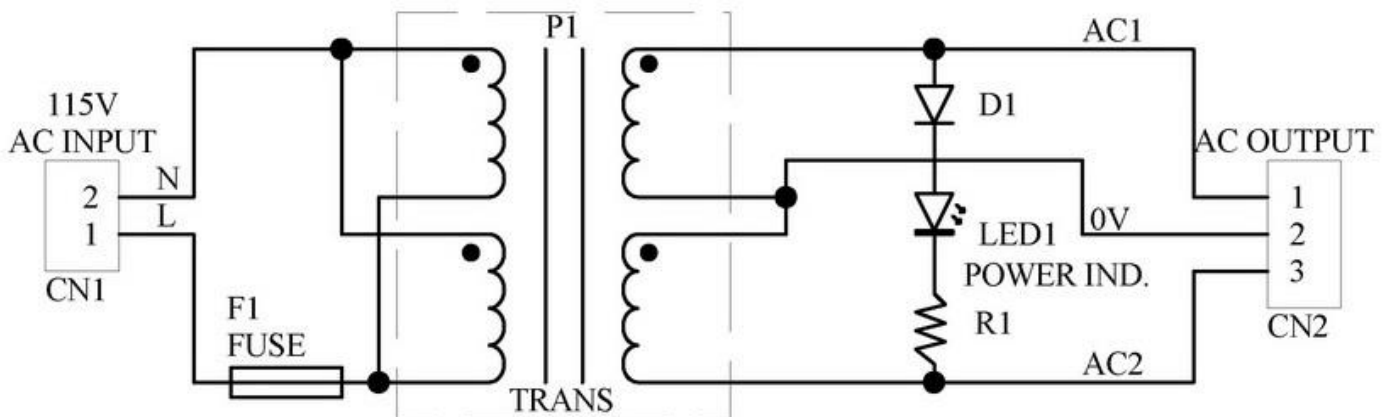
1.



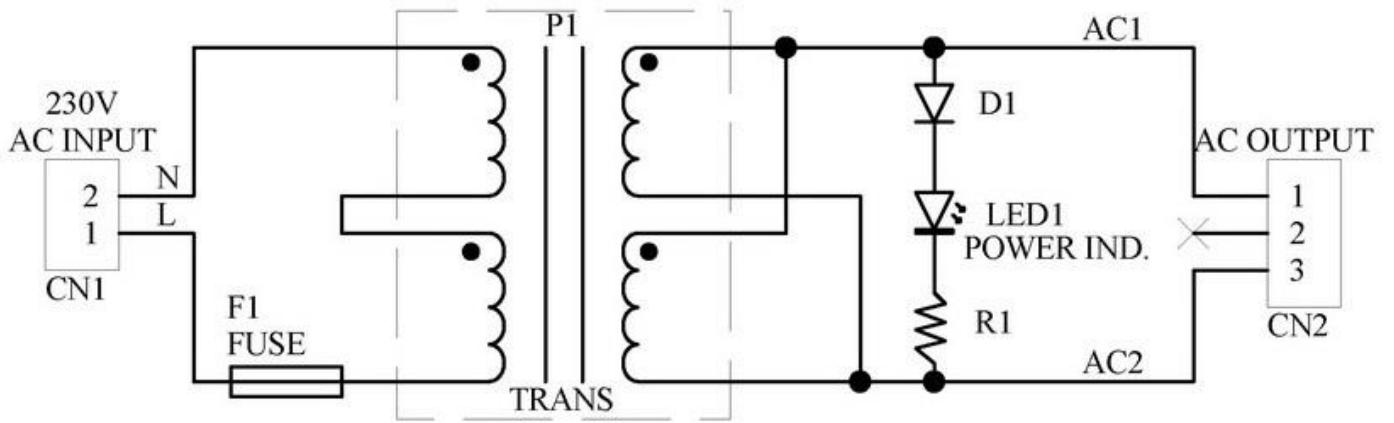
2.



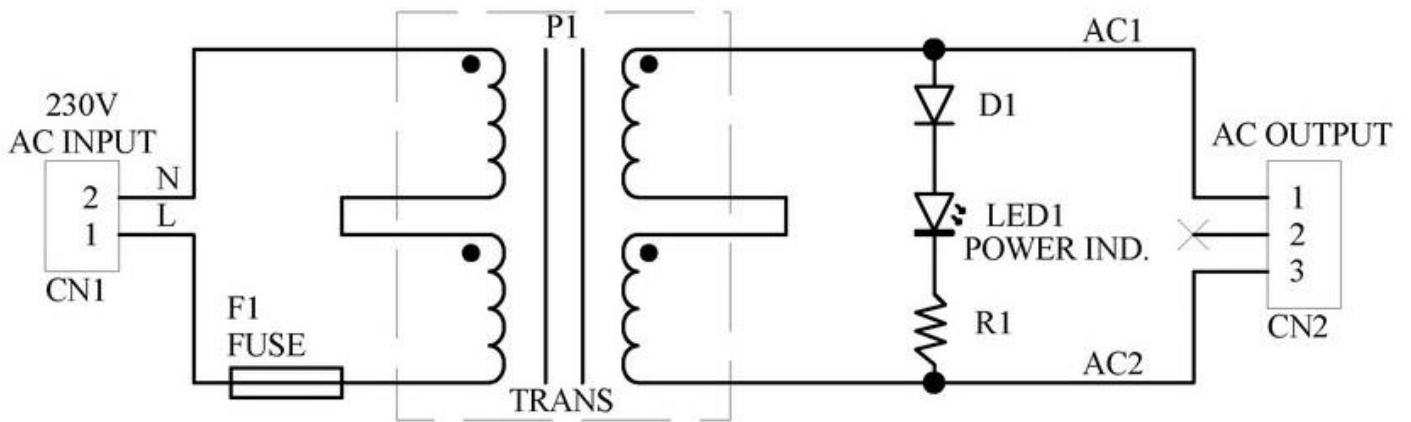
3.



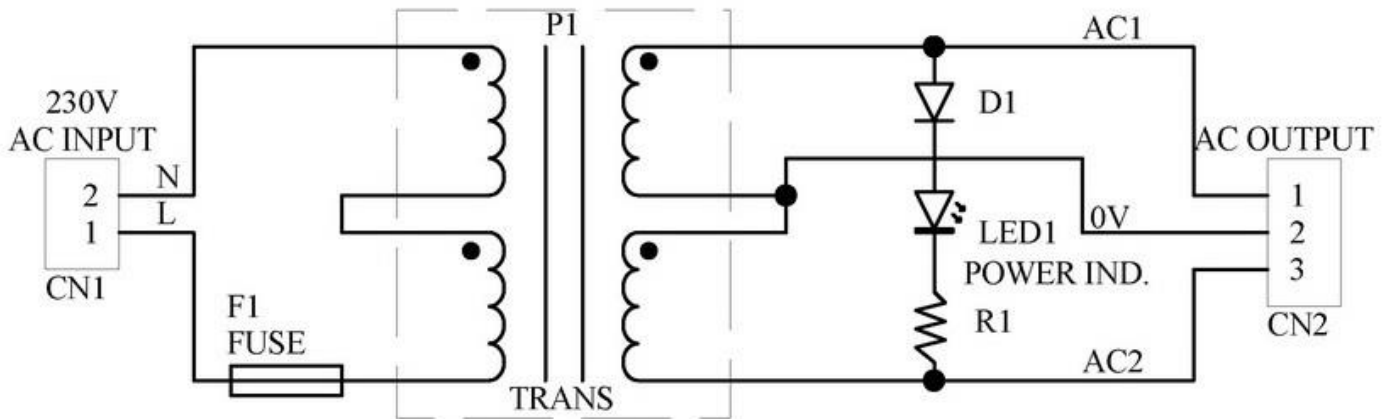
4.



5.

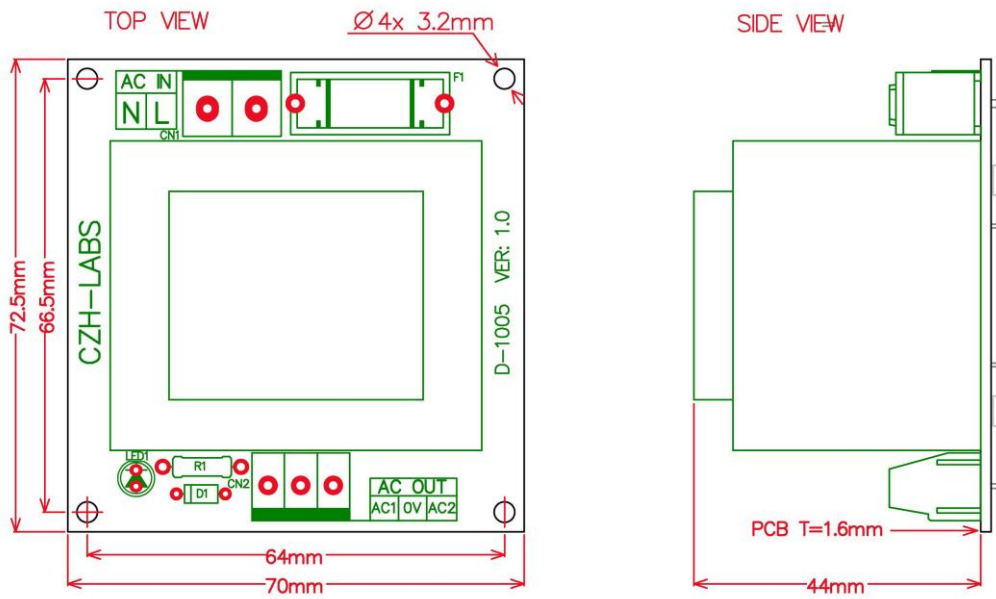


6.

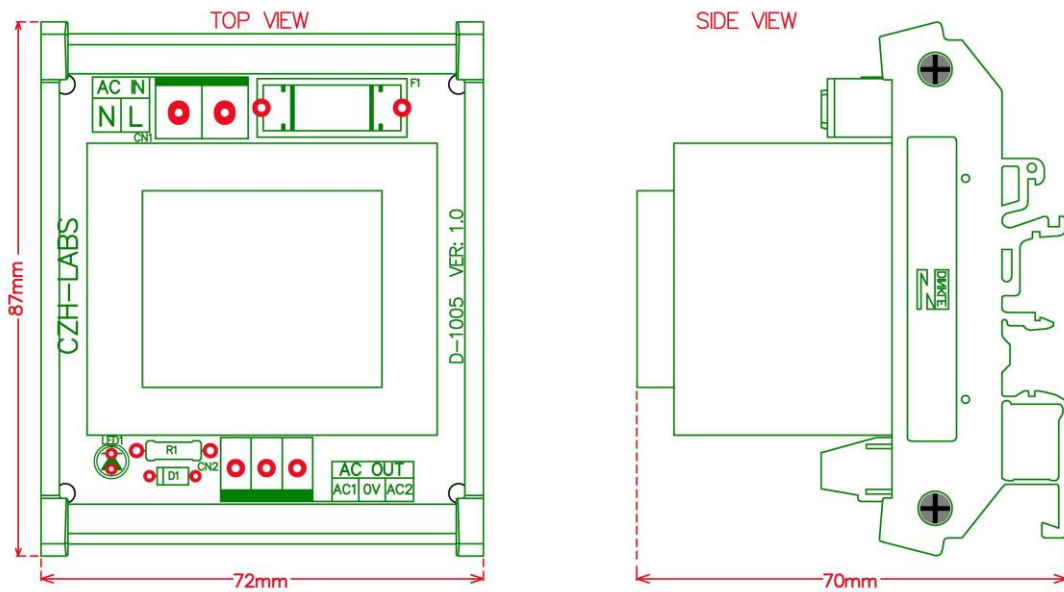


Size:

### For Panel Mount



### For DIN Rail Mount



Any questions feel free to contact me: [lisheng@chunzehui.com](mailto:lisheng@chunzehui.com)