

CZH-LABS

Electronics-Salon

Page 2~4, D-1115A/B series, 12/24V 30A

Page 5~7, D-1115C/D series, 36/48V 30A

Page 8~10, D-1116A/B series, 12/24V 80A

Page 11~13, D-1116C/D series, 36/48V 80A

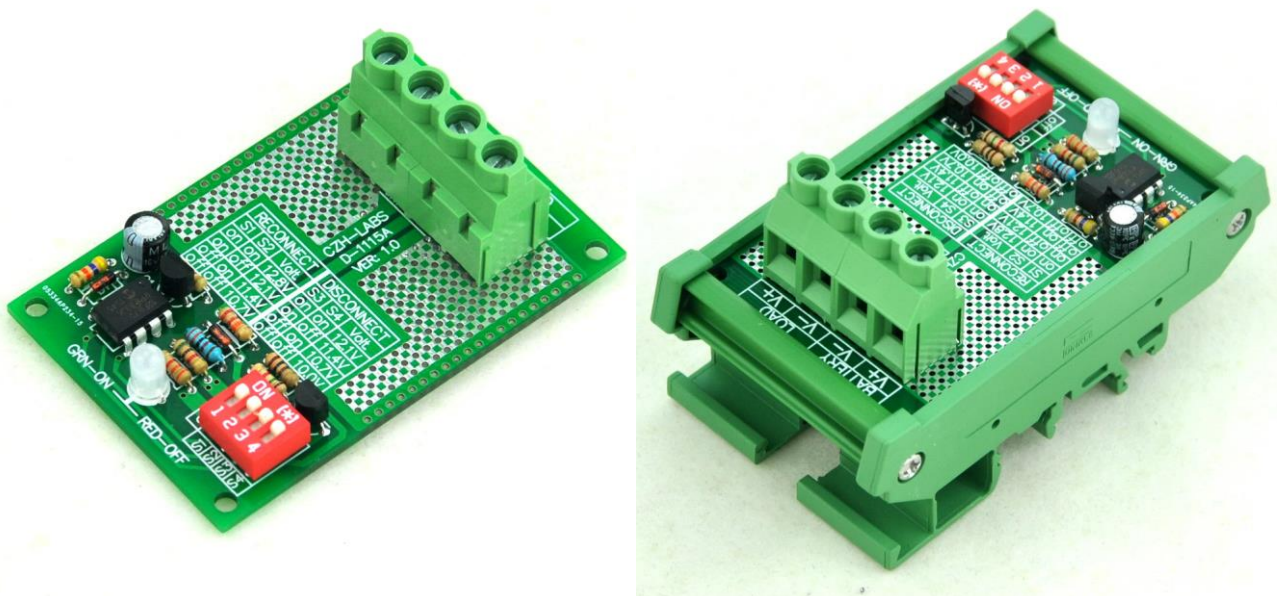
CZH-LABS

Electronics-Salon

Automatic Low Voltage Disconnect Module (LVD) Based on Microcontroller and MOSFET

Model: D-1115A series, 12V 30A version

D-1115B series, 24V 30A version



To protect electronics from damaging low voltages and prevent a deep discharge of a battery during an extended power outage, the LVD module will automatically disconnect the battery when the voltage falls below the user adjustable cutoff voltage. When power is restored the Smart Switch will automatically reconnect the battery, thereby protecting the battery from total discharge (helping to prolong the life of the battery).

Applications include:

- Solar systems,
- Alarm systems,
- UPS systems,
- Mobile systems,
- Or any application where you need to protect the battery from total discharge.

Features:

- Programmable voltage setting for Disconnect and Reconnect.
- Red-green LED indication for relay switch ON and OFF.
- When the battery voltage drops to \leq Disconnect value and continuously held for 10 seconds, load switch will OFF. when the battery voltage rise to \geq Reconnect value and continuously held for 10 seconds, load switch will return to ON state. this will better prevent malfunction.
- Panel mount or DIN rail mount types selectable. DIN rail mount version can support width 35 / 32 / 15mm rails.

Version:

Version	Mount Type	Suitable Battery	Rated Current
D-1115A/30A	Panel mount	12V	30A
D-1115AT/30A	DIN rail mount		
D-1115B/30A	Panel mount	24V	
D-1115BT/30A	DIN rail mount		

Specifications:

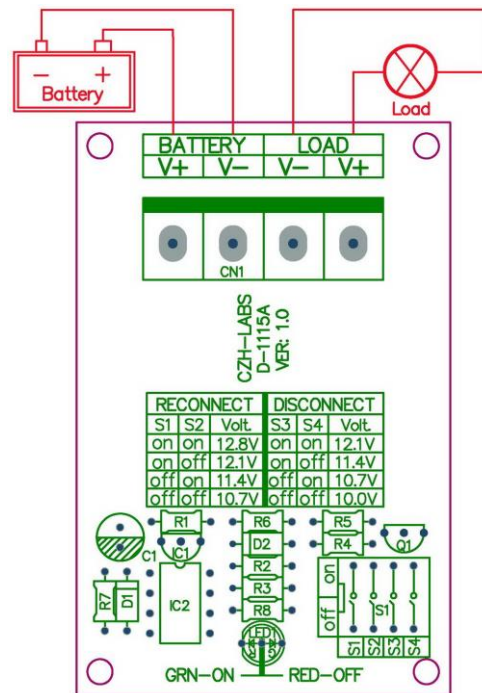
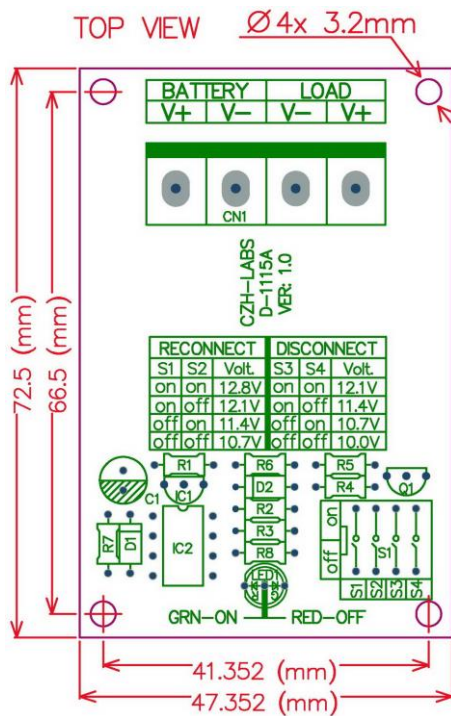
	D-1115A Series (12V)	D-1115B Series (24V)
Operating voltage	6 ~ 18 Vdc	10 ~ 32 Vdc
Rated current	10A / 20A / 30A	10A / 20A / 30A
Quiescent current (Load switch off)	1.8 ~ 2.2mA	

Quiescent current (Load switch on)	9.5 ~ 10.5mA	
Disconnect voltage	10.0, 10.7, 11.4, 12.1 Vdc Programmable	20.0, 21.4, 22.8, 24.2 Vdc Programmable
Reconnect voltage	10.7, 11.4, 12.1, 12.8 Vdc Programmable	21.4, 22.8, 24.2, 25.6 Vdc Programmable
Default setting Disconnect/Reconnect	10.0Vdc / 11.4Vdc	20.0Vdc / 22.8Vdc
Disconnect/Reconnect Voltage Tolerance	+/- 0.1Vdc (max.)	+/- 0.1Vdc (max.)
Load Switch ON Status Resistance	1.7 milliohm (0.0017 ohm)	
Disconnect/Reconnect LED state	Red / Green	
Terminal block wire	26~10AWG, 5.26mm ²	
Panel Mount Size	72.5mm x 47.35mm x 25mm (L x W x H)	
DIN Rail Mount Size	87mm x 50mm x 48mm (L x W x H)	

NOTE:

- 1, Setting disconnect and reconnect values, reconnect value must more than disconnect value.
- 2, Do not reverse connect battery polarity, otherwise it will damage battery or the module.

PCB Mount Dimensions and Terminal Block Connect:



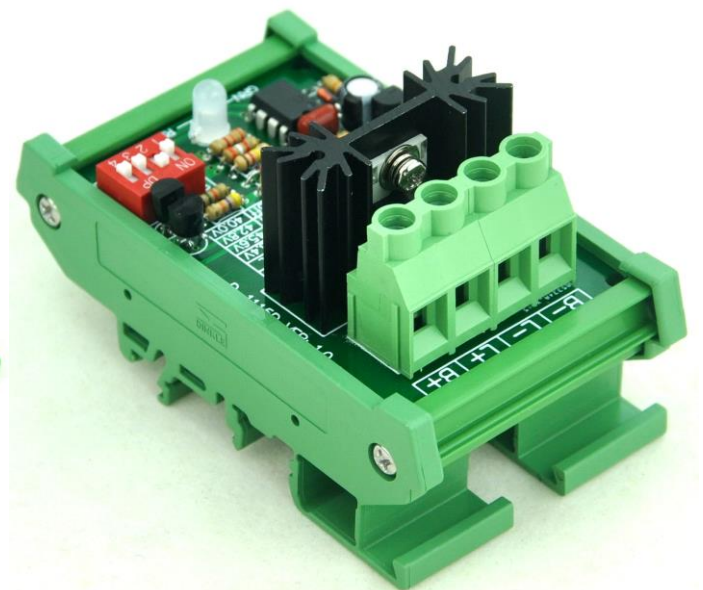
CZH-LABS

Electronics-Salon

Automatic Low Voltage Disconnect Module (LVD) Based on Microcontroller and MOSFET

Model: D-1115C series (36V, 30A version)

D-1115D series (48V, 30A version)



To protect electronics from damaging low voltages and prevent a deep discharge of a battery during an extended power outage, the LVD module will automatically disconnect the battery when the voltage falls below the user adjustable cutoff voltage. When power is restored the Smart Switch will automatically reconnect the battery, thereby protecting the battery from total discharge (helping to prolong the life of the battery).

Applications include:

Solar systems,
Alarm systems,
UPS systems,
Mobile systems,

Or any application where you need to protect the battery from total discharge.

Features:

Programmable voltage setting for Disconnect and Reconnect.

Red-green LED indication for relay switch ON and OFF.

When the battery voltage drops to \leq Disconnect value and continuously held for 10 seconds, load switch will OFF. when the battery voltage rise to \geq Reconnect value and continuously held for 10 seconds, load switch will return to ON state. this will better prevent malfunction.

Panel mount or DIN rail mount types selectable. DIN rail mount version can support width 35 / 32 / 15mm rails.

Version:

Version	Mount Type	Suitable Battery	Rated Current
D-1115C	Panel mount	36V	30A
D-1115CT	DIN rail mount		
D-1115D	Panel mount	48V	
D-1115DT	DIN rail mount		

Specifications:

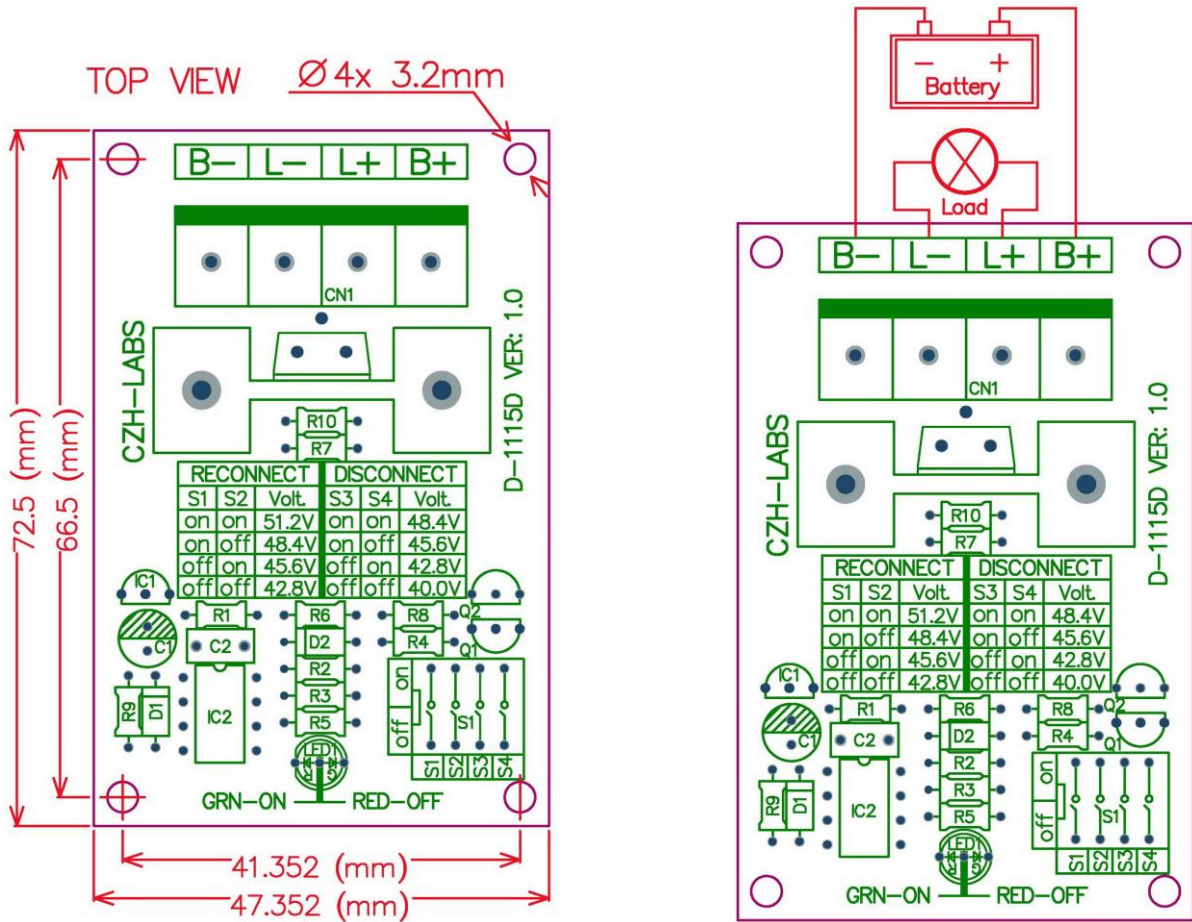
	D-1115C Series (36V)	D-1115D Series (48V)
Operating voltage	13 ~ 48 Vdc	18 ~ 60 Vdc
Rated current	30A	
Quiescent current (Load switch off)	1.8 ~ 2.2mA	
Quiescent current (Load switch on)	6.5 ~ 7.5mA	
Disconnect voltage	30.0, 32.1, 34.2, 36.3 Vdc Programmable	40.0, 42.8, 45.6, 48.4 Vdc Programmable
Reconnect voltage	32.1, 34.2, 36.3, 38.4 Vdc Programmable	42.8, 45.6, 48.4, 51.2 Vdc Programmable

Default setting	30.0Vdc / 34.2Vdc	40.0Vdc / 45.6Vdc
Disconnect/Reconnect		
Disconnect/Reconnect Voltage Tolerance	+/- 0.2Vdc (max.)	+/- 0.2Vdc (max.)
Load Switch ON Status Resistance	3 milliohm (0.003 ohm)	
Disconnect/Reconnect LED state	Red / Green	
Terminal block wire	26~10AWG, 5.26mm ²	
Panel Mount Size	72.5mm x 47.35mm x 28mm (L x W x H)	
DIN Rail Mount Size	87mm x 50mm x 51mm (L x W x H)	

NOTE:

- 1, Setting disconnect and reconnect values, reconnect value must more than disconnect value.
- 2, Do not reverse connect battery polarity, otherwise it will damage battery or the module.

PCB Mount Dimensions and Terminal Block Connect:

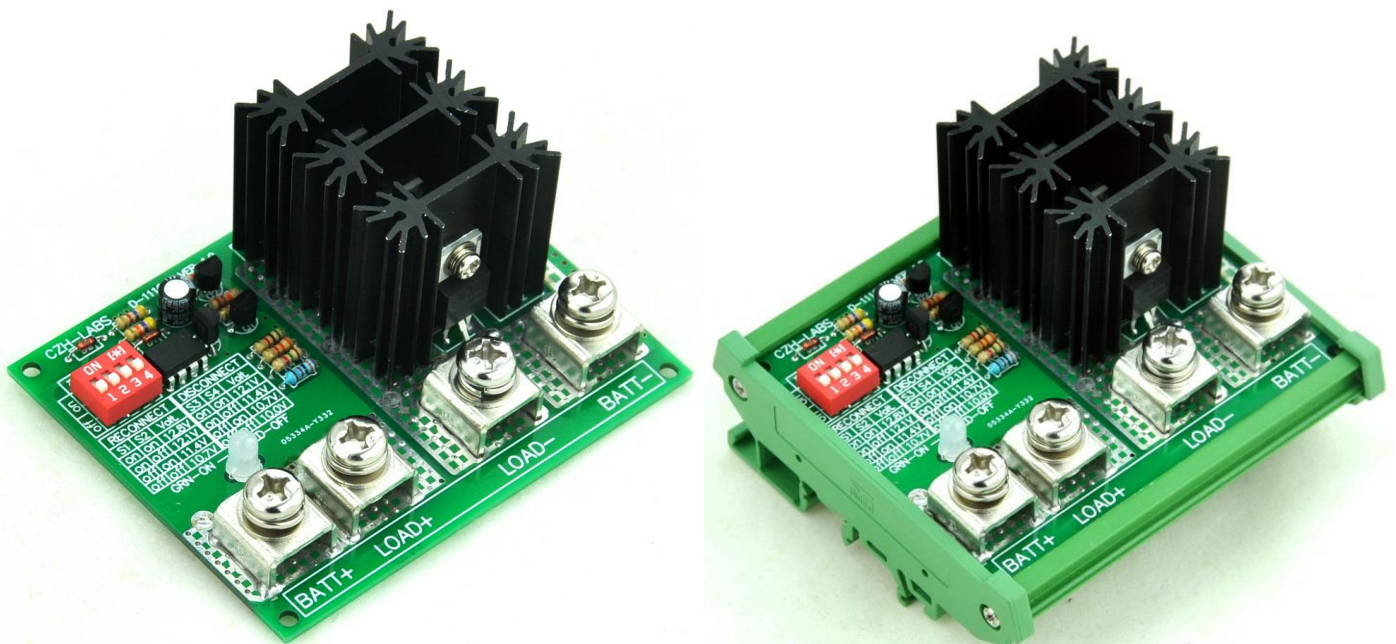


CZH-LABS Electronics-Salon

Automatic Low Voltage Disconnect Module (LVD) Based on Microcontroller and MOSFET

Model: D-1116A, 12V 80A version.

D-1116B, 24V 80A version.



To protect electronics from damaging low voltages and prevent a deep discharge of a battery during an extended power outage, the LVD module will automatically disconnect the battery when the voltage falls below the user adjustable cutoff voltage. When power is restored the Smart Switch will automatically reconnect the battery, thereby protecting the battery from total discharge (helping to prolong the life of the battery).

Applications include:

- Solar systems,
- Alarm systems,
- UPS systems,
- Mobile systems,
- Or any application where you need to protect the battery from total discharge.

Features:

- Programmable voltage setting for Disconnect and Reconnect.
- Red-green LED indication for relay switch ON and OFF.
- When the battery voltage drops to \leq Disconnect value and continuously held for 10 seconds, load switch will OFF. when the battery voltage rise to \geq Reconnect value and continuously held for 10 seconds, load switch will return to ON state. this will better prevent malfunction.
- Panel mount or DIN rail mount types selectable. DIN rail mount version can support width 35 / 32 / 15mm rails.

Version:

Version	Mount Type	Suitable Battery	Rated Current
D-1116A	Panel mount	12V	80A
D-1116B		24V	
D-1116AT	DIN Rail Mount	12V	
D-1116BT		24V	

Specifications:

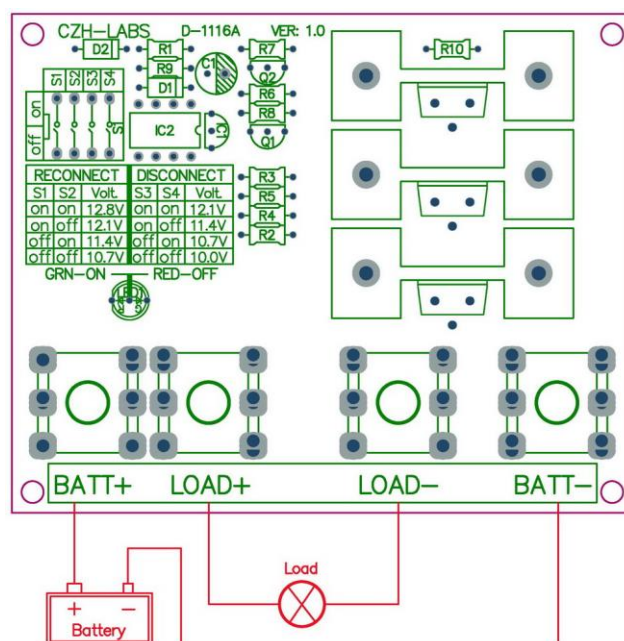
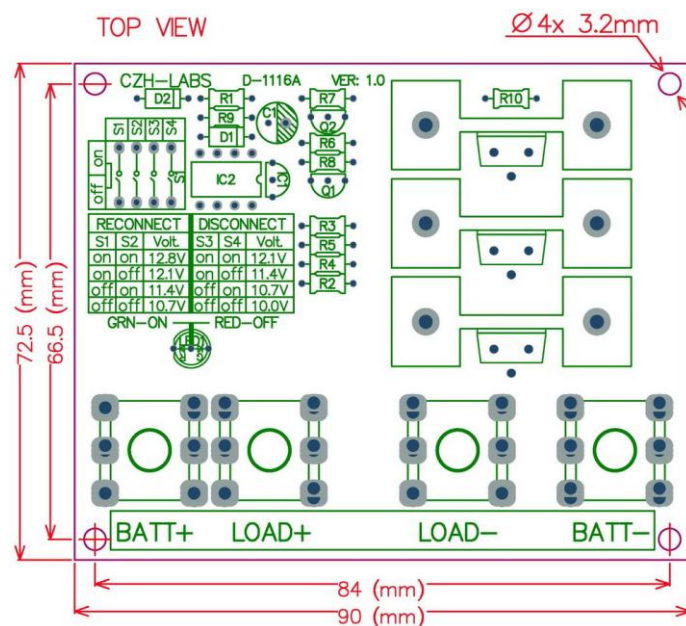
	D-1116A (12V)	D-1116B (24V)
Operating voltage	6 ~ 18 Vdc	10 ~ 32 Vdc
Rated current	80A	
Quiescent current (Load switch off)	1.8 ~ 2.2mA	
Quiescent current (Load switch on)	10 ~ 11mA	
Disconnect voltage	10.0, 10.7, 11.4, 12.1 Vdc Programmable	20.0, 21.4, 22.8, 24.2 Vdc Programmable
Reconnect voltage	10.7, 11.4, 12.1, 12.8 Vdc Programmable	21.4, 22.8, 24.2, 25.6 Vdc Programmable
Default setting Disconnect/Reconnect	10.0Vdc / 11.4Vdc	20.0Vdc / 22.8Vdc
Disconnect/Reconnect Voltage Tolerance	+/- 0.1Vdc (max.)	

Load Switch ON Status Resistance	< 1.5 milliohm (0.0015 ohm)
Disconnect/Reconnect LED state	Red / Green
Connector Terminal	M6 Screws, thread diameter 6mm, you can connect Metric M6 or USA 1/4 (inside diameter) ring crimp terminal.
Panel Mount Size	72.5mm x 90mm x 40mm (L x W x H)
DIN Rail Mount Size	87mm x 93mm x 62mm (L x W x H)

NOTE:

- 1, Setting disconnect and reconnect values, reconnect value must more than disconnect value.
- 2, Do not reverse connect battery polarity, otherwise it will damage battery or the module.

PCB Mount Dimensions and Terminal Connect:

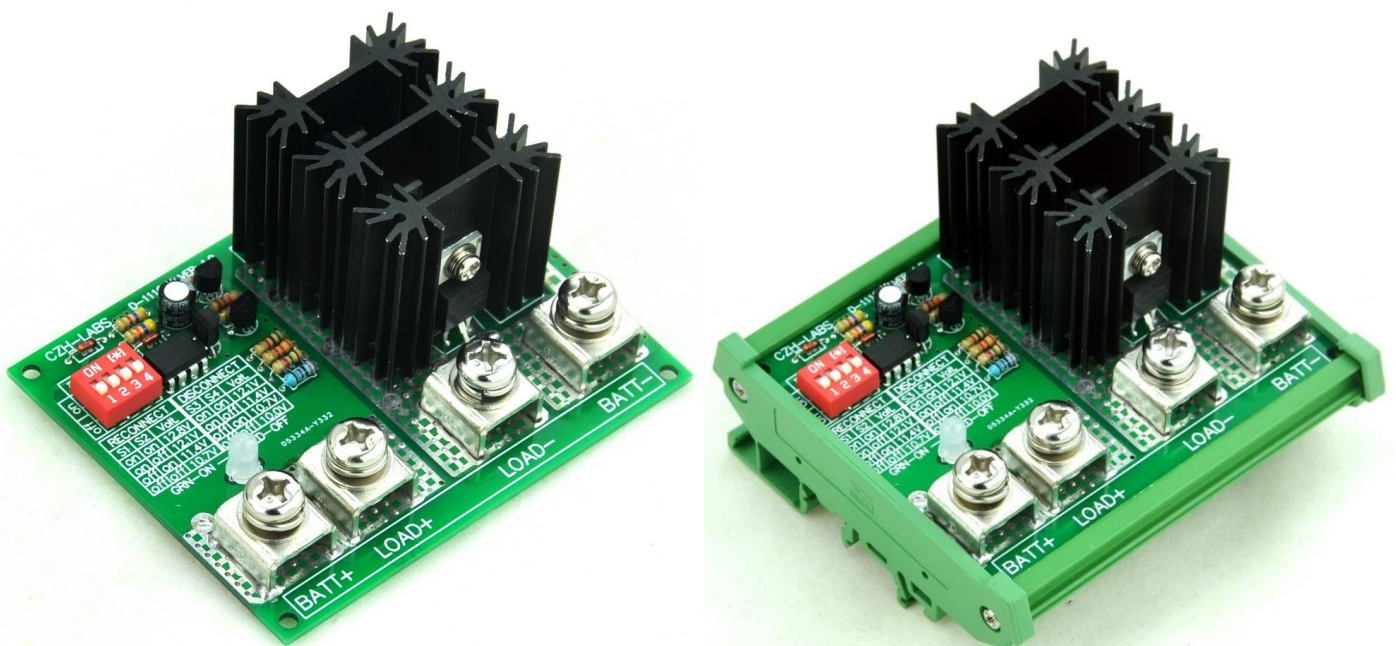


CZH-LABS Electronics-Salon

Automatic Low Voltage Disconnect Module (LVD) Based on Microcontroller and MOSFET

Model: D-1116C, 36V 80A version.

D-1116D, 48V 80A version.



To protect electronics from damaging low voltages and prevent a deep discharge of a battery during an extended power outage, the LVD module will automatically disconnect the battery when the voltage falls below the user adjustable cutoff voltage. When power is restored the Smart Switch will automatically reconnect the battery, thereby protecting the battery from total discharge (helping to prolong the life of the battery).

Applications include:

- Solar systems,
- Alarm systems,
- UPS systems,
- Mobile systems,
- Or any application where you need to protect the battery from total discharge.

Features:

Programmable voltage setting for Disconnect and Reconnect.

Red-green LED indication for relay switch ON and OFF.

When the battery voltage drops to \leq Disconnect value and continuously held for 10 seconds, load switch will OFF. when the battery voltage rise to \geq Reconnect value and continuously held for 10 seconds, load switch will return to ON state. this will better prevent malfunction.

Panel mount or DIN rail mount types selectable. DIN rail mount version can support width 35 / 32 / 15mm rails.

Version:

Version	Mount Type	Suitable Battery	Rated Current
D-1116C	Panel mount	36V	80A
D-1116D		48V	
D-1116CT	DIN Rail Mount	36V	
D-1116DT		48V	

Specifications:

	D-1116C (36V)	D-1116D (48V)
Operating voltage	13 ~ 48 Vdc	18 ~ 60 Vdc
Rated current	80A	
Quiescent current (Load switch off)	1.8 ~ 2.2mA	
Quiescent current (Load switch on)	6.5 ~ 7.5mA	
Disconnect voltage	30.0, 32.1, 34.2, 36.3 Vdc Programmable	40.0, 42.8, 45.6, 48.4 Vdc Programmable
Reconnect voltage	32.1, 34.2, 36.3, 38.4 Vdc Programmable	42.8, 45.6, 48.4, 51.2 Vdc Programmable
Default setting Disconnect/Reconnect	30.0Vdc / 34.2Vdc	40.0Vdc / 45.6Vdc
Disconnect/Reconnect Voltage Tolerance	+/- 0.2Vdc (max.)	

Load Switch ON Status Resistance	< 1.5 milliohm (0.0015 ohm)
Disconnect/Reconnect LED state	Red / Green
Connector Terminal	M6 Screws, thread diameter 6mm, you can connect Metric M6 or USA 1/4 (inside diameter) ring crimp terminal.
Panel Mount Size	72.5mm x 90mm x 40mm (L x W x H)
DIN Rail Mount Size	87mm x 93mm x 62mm (L x W x H)

NOTE:

- 1, Setting disconnect and reconnect values, reconnect value must more than disconnect value.
- 2, Do not reverse connect battery polarity, otherwise it will damage battery or the module.

PCB Mount Dimensions and Terminal Connect:

