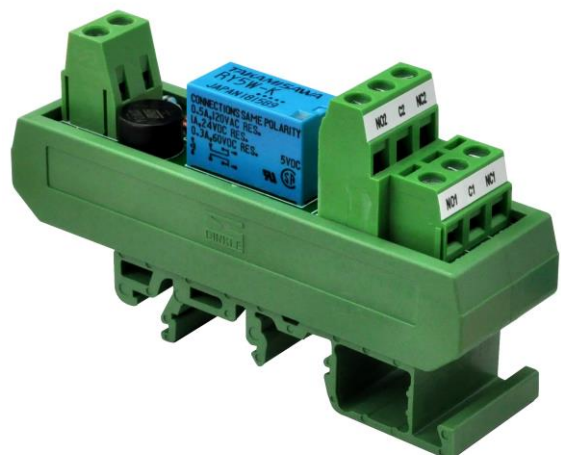
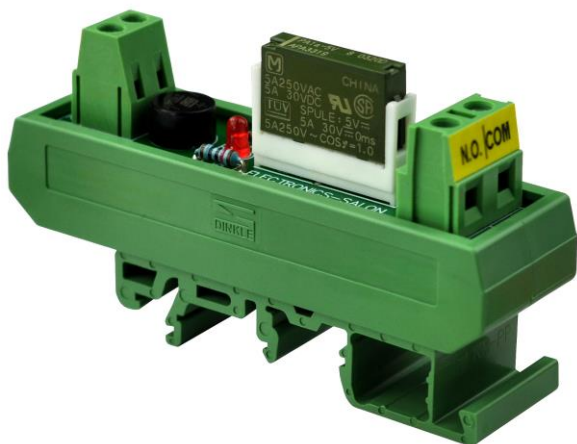


Chunzehui Electronics-Salon CZH-LABS

Slim DIN Rail Mount Single Relay Module
Model: MD-D1237 to D1243



Electronics-Salon MD-D1237T Series

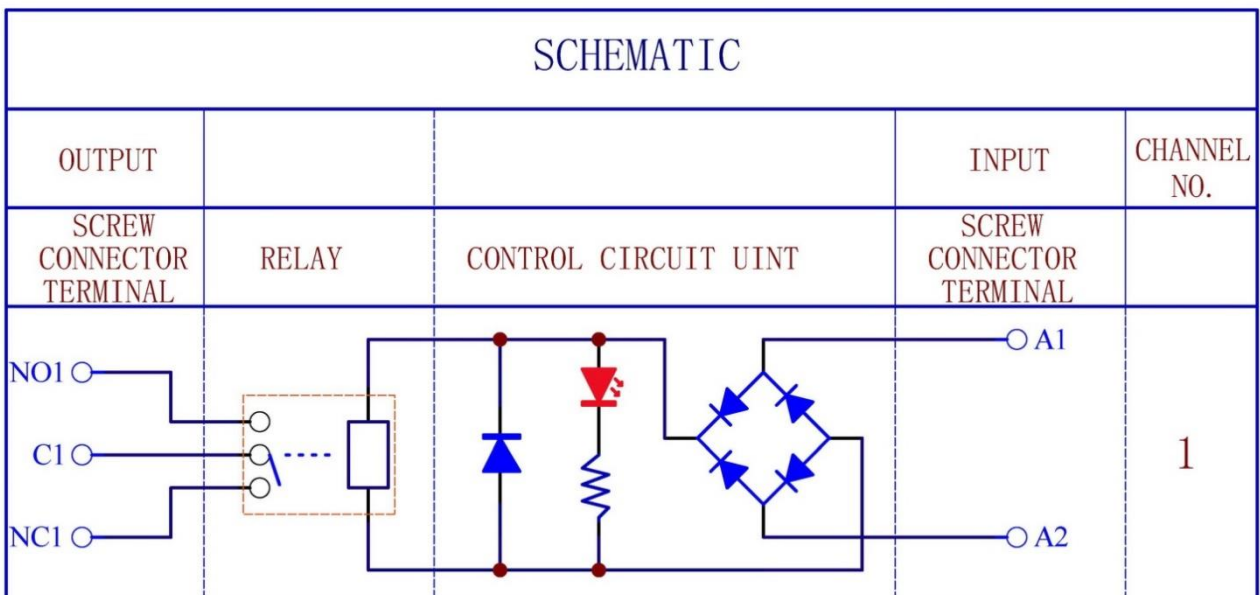
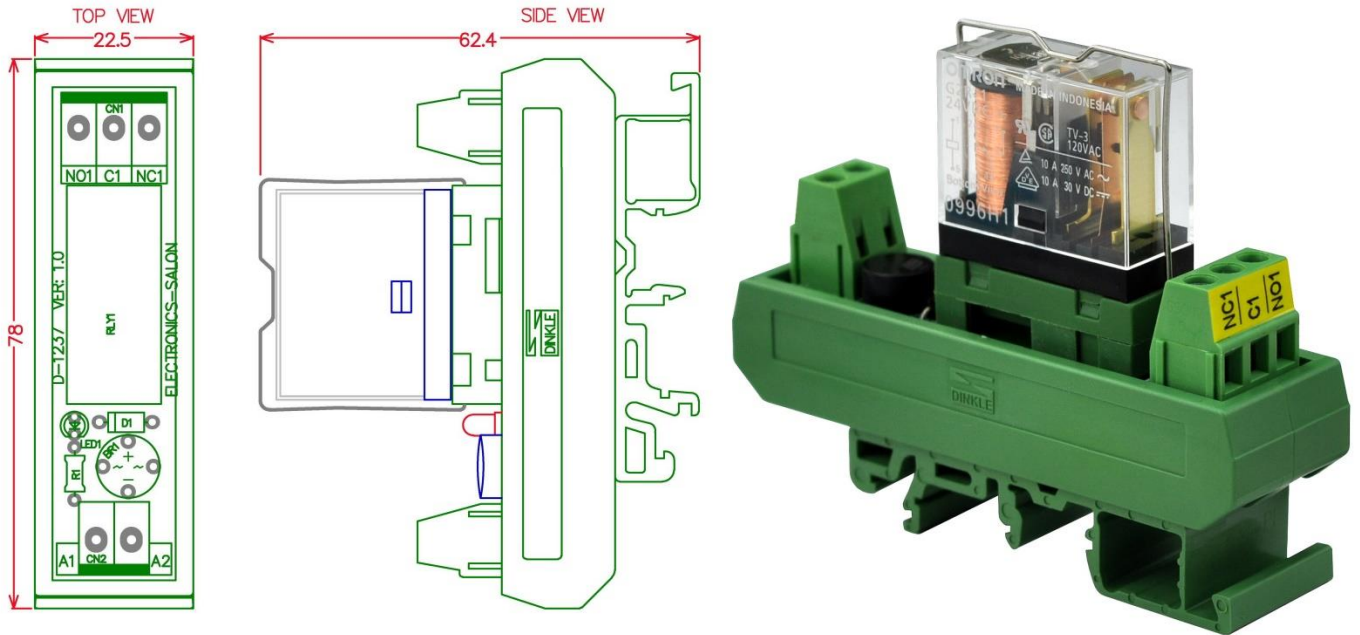
DIN Rail Mount Slim SPDT 10A G2R-1 Power Relay Module

Features:

- Omron G2R-1 10Amp SPDT power relay. Pluggable socket for support replacement relay.
- Dinkle high quality fireproof nylon material DIN rail mount housing, can support width 35mm, 32mm and 15mm rail.
- High quality screw terminal blocks and clear marking label for terminal block position. Pitch 5.08mm/0.2" screw terminal block. Wire range 26 to 12AWG / 2.5mm square. Screws - M2.5, steel, Cr3+ Zn plated. Pin header and Cage - Brass.
- High quality glass fiber FR-4 PCB, top and bottom dual copper layers.
- Support AC and DC control signal, Relay action LED indicator, relay coil protection by means of a freewheeling diode.

Version:

SKU	Input Voltage	Input Current	Output Switch
MD-D1237T/5V-1	AC 4 ~ 7V, or DC 4 ~ 9V	106mA @5VDC	10A / 250VAC 10A / 30VDC
MD-D1237T/12V-1	AC 10 ~ 15V, or DC 10 ~ 20V	45mA @12VDC	
MD-D1237T/24V-1	AC 18 ~ 30V, or DC 19 ~ 40V	23mA @24VDC	



Electronics-Salon MD-D1237TE Series

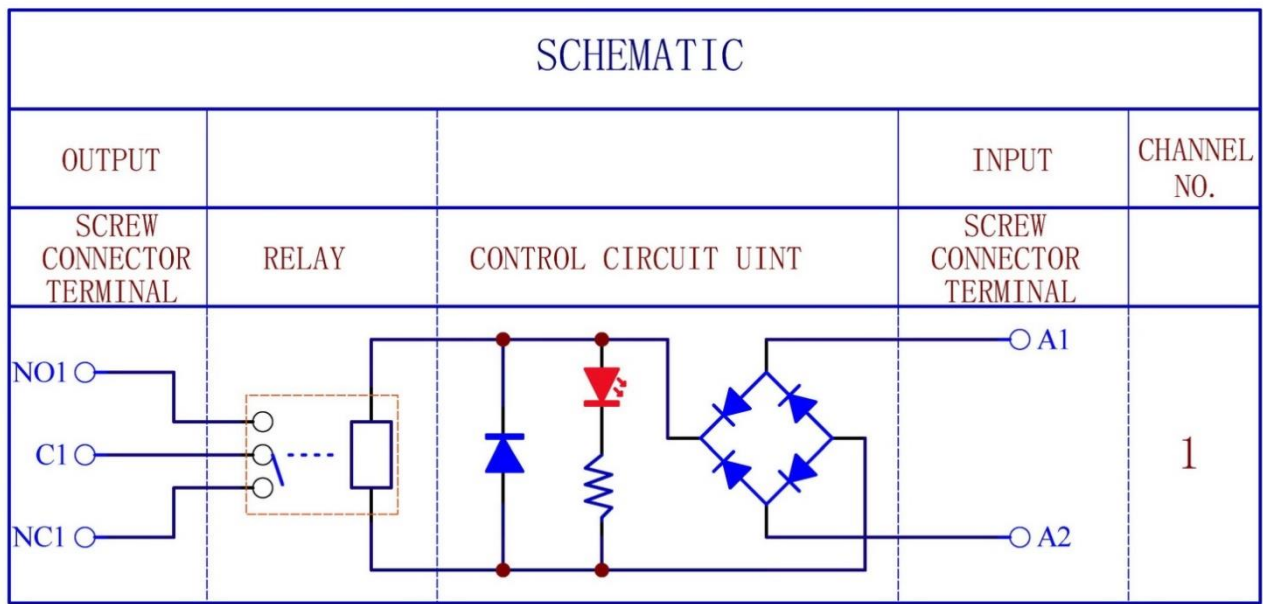
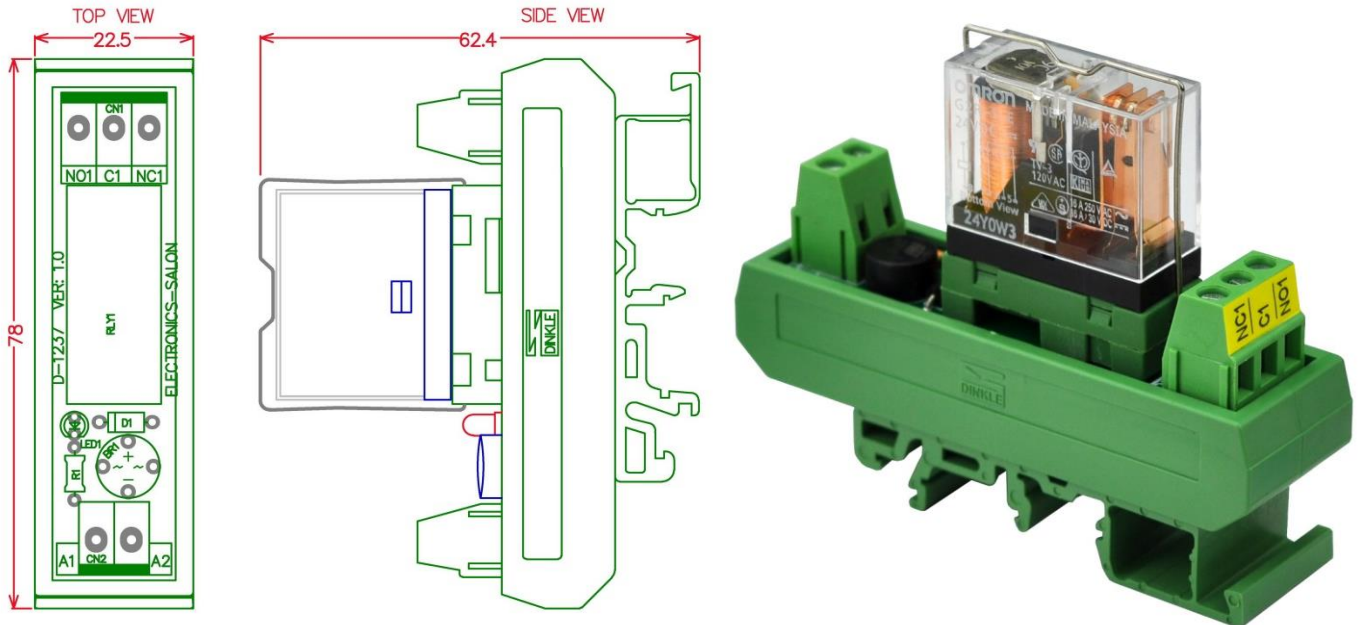
DIN Rail Mount Slim SPDT 16A G2R-1-E Power Relay Module

Features:

- Omron G2R-1-E 16Amp SPDT power relay. Pluggable socket for support replacement relay.
- Dinkle high quality fireproof nylon material DIN rail mount housing, can support width 35mm, 32mm and 15mm rail.
- High quality screw terminal blocks and clear marking label for terminal block position. Pitch 5.08mm/0.2" screw terminal block. Wire range 26 to 12AWG / 2.5mm square. Screws - M2.5, steel, Cr3+ Zn plated. Pin header and Cage - Brass.
- High quality glass fiber FR-4 PCB, top and bottom dual copper layers.
- Support AC and DC control signal, Relay action LED indicator, relay coil protection by means of a freewheeling diode.

Version:

SKU	Input Voltage	Input Current	Output Switch
MD-D1237TE/5V-1	AC 4 ~ 7V, or DC 4 ~ 9V	106mA @5VDC	16A / 250VAC 16A / 30VDC
MD-D1237TE/12V-1	AC 10 ~ 15V, or DC 10 ~ 20V	45mA @12VDC	
MD-D1237TE/24V-1	AC 18 ~ 30V, or DC 19 ~ 40V	23mA @24VDC	



Electronics-Salon MD-D1238T Series

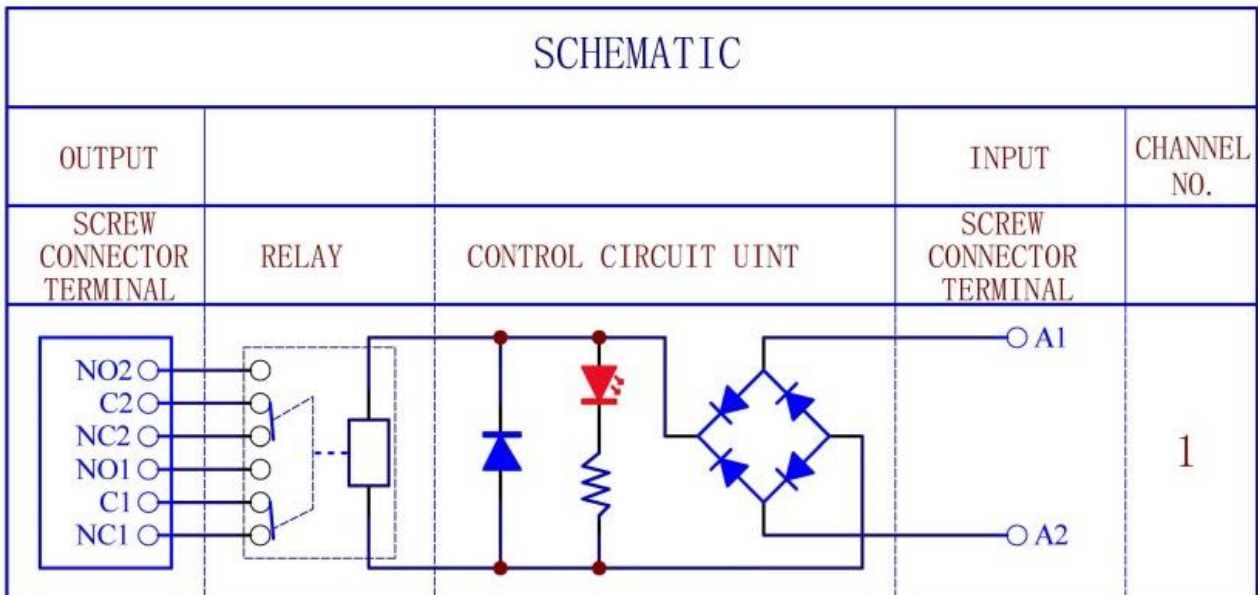
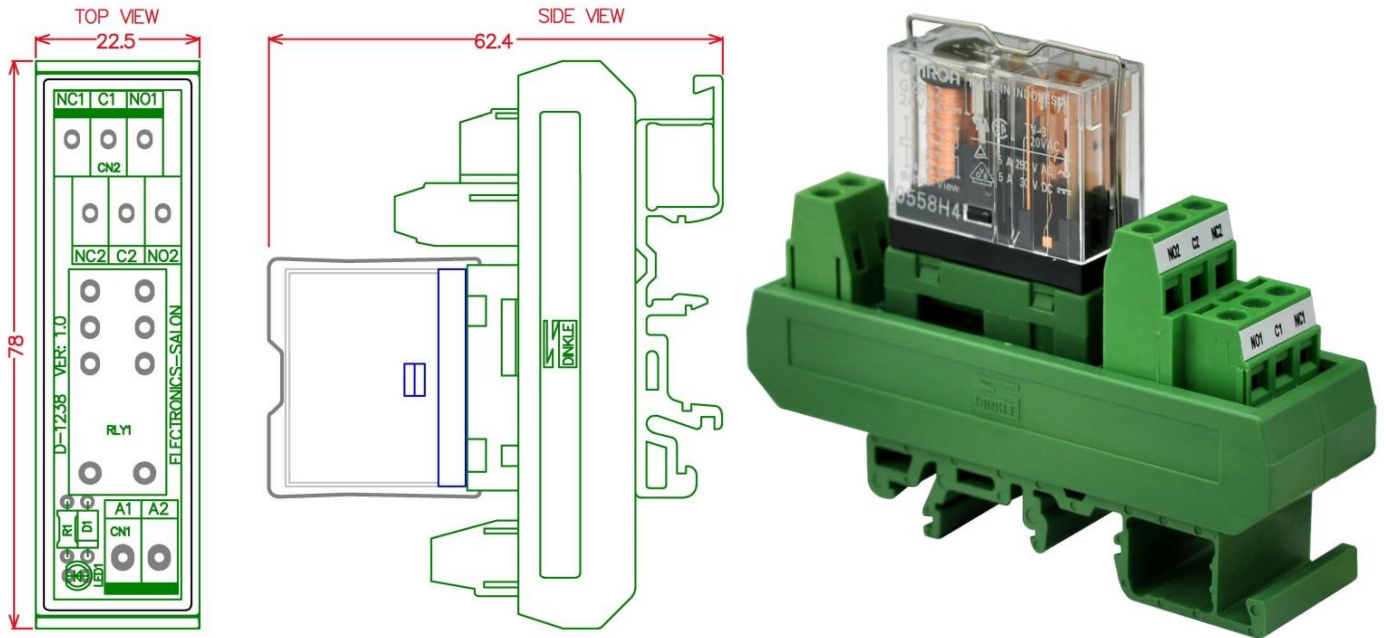
DIN Rail Mount Slim DPDT 5A G2R-2 Power Relay Module

Features:

- Omron G2R-2 Dual 5Amp DPDT power relay. Pluggable socket for support replacement relay.
- Dinkle high quality fireproof nylon material DIN rail mount housing, can support width 35mm, 32mm and 15mm rail.
- High quality screw terminal blocks and clear marking label for terminal block position. Pitch 5.08mm/0.2" screw terminal block. Wire range 26 to 12AWG / 2.5mm square. Screws - M2.5, steel, Cr3+ Zn plated. Pin header and Cage - Brass.
- High quality glass fiber FR-4 PCB, top and bottom dual copper layers.
- Support AC and DC control signal, Relay action LED indicator, relay coil protection by means of a freewheeling diode.

Version:

SKU	Input Voltage	Input Current	Output Switch
MD-D1238T/5V-1	AC 4 ~ 7V, or DC 4 ~ 9V	106mA @5VDC	Dual 5A/ 250VAC Dual 5A/ 30VDC
MD-D1238T/12V-1	AC 10 ~ 15V, or DC 10 ~ 20V	45mA @12VDC	
MD-D1238T/24V-1	AC 18 ~ 30V, or DC 19 ~ 40V	23mA @24VDC	



Electronics-Salon MD-D1239T Series

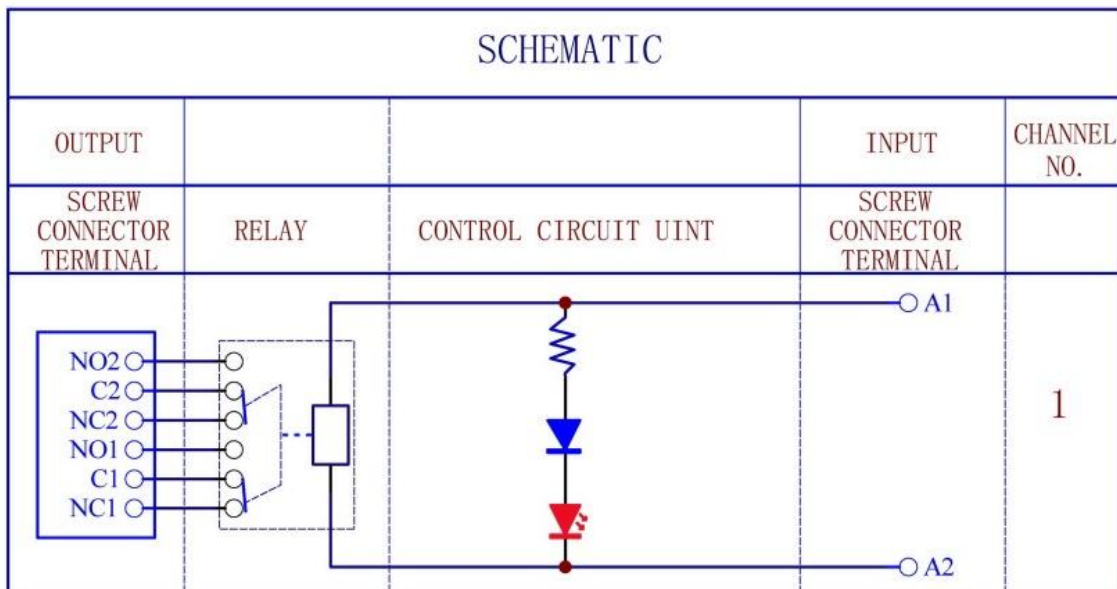
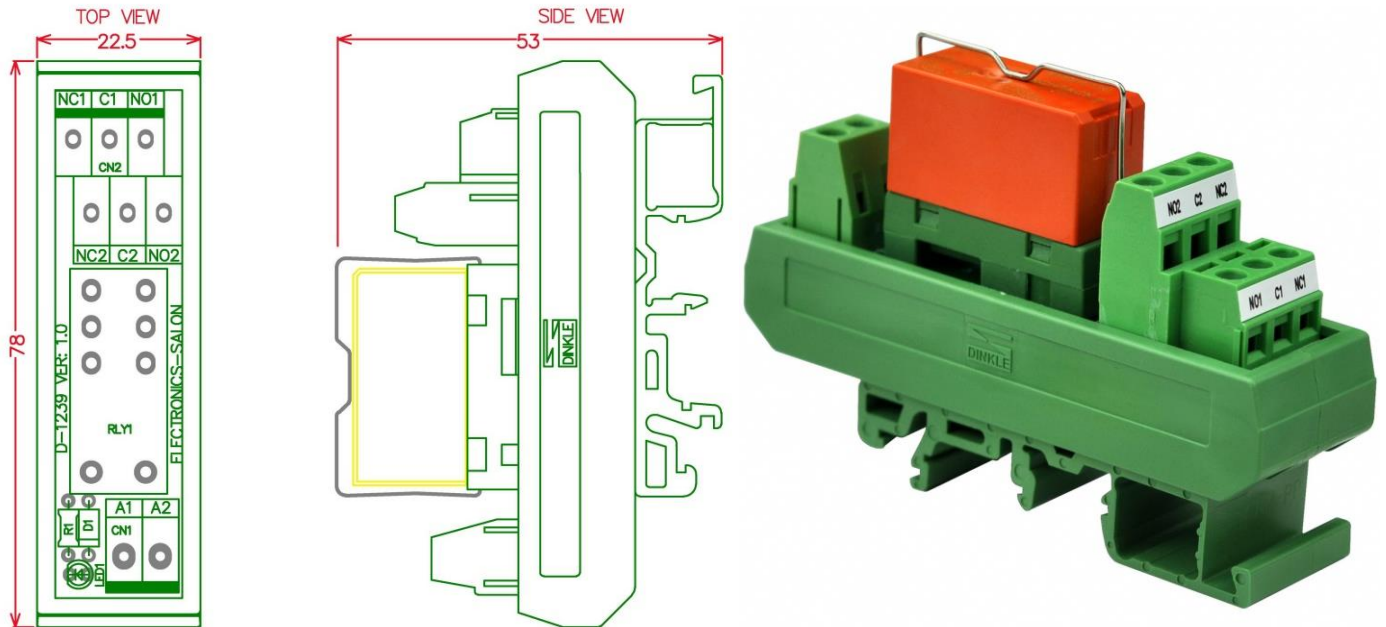
DIN Rail Mount Slim 115/230VAC DPDT 8A Power Relay Module

Features:

- TE(Tyco) RT2 AC Dual 8Amp DPDT power relay. Pluggable socket for support replacement relay.
- Dinkle high quality fireproof nylon material DIN rail mount housing, can support width 35mm, 32mm and 15mm rail.
- High quality screw terminal blocks and clear marking label for terminal block position. Pitch 5.08mm/0.2" screw terminal block. Wire range 26 to 12AWG / 2.5mm square. Screws - M2.5, steel, Cr3+ Zn plated. Pin header and Cage - Brass.
- High quality glass fiber FR-4 PCB, top and bottom dual copper layers.
- AC control signal, Relay action LED indicator.

Version:

SKU	Input Voltage	Rated Coil Power	Output Switch
MD-D1239T/115V-1	87 ~ 143VAC	0.76VA @115VAC	Dual 8A/ 250VAC 2000VA
MD-D1239T/230V-1	173 ~ 287VAC	0.74VA @230VAC	
*	*	*	



Electronics-Salon MD-D1240T Series

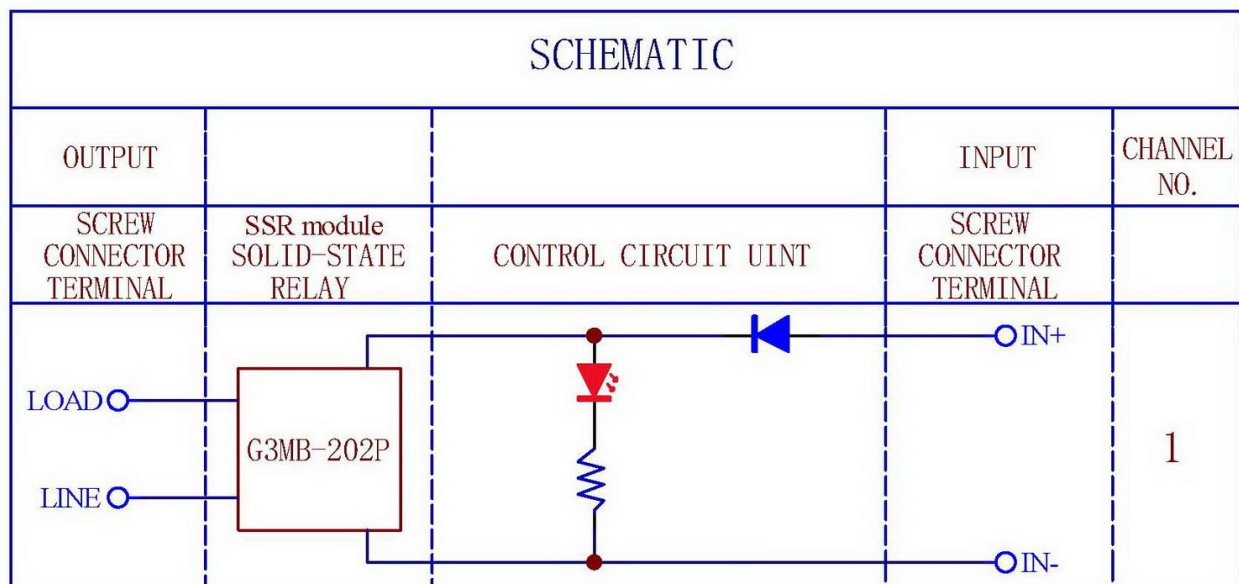
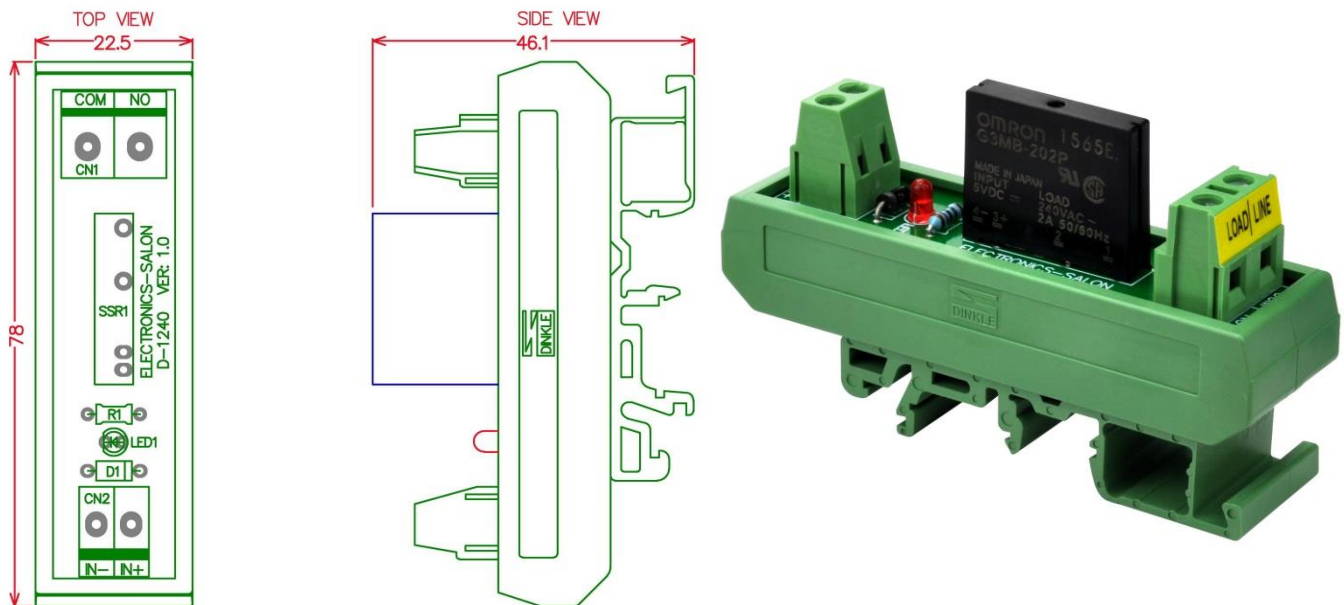
DIN Rail Mount Slim 2Amp SSR Solid State Relay Module

Features:

- Omron G3MB-202P 2Amp solid state relay.
- Dinkle high quality fireproof nylon material DIN rail mount housing, can support width 35mm, 32mm and 15mm rail.
- High quality screw terminal blocks and clear marking label for terminal block position. Pitch 5.08mm/0.2" and 7.62mm/0.3" screw terminal blocks. Wire range 26 to 12AWG / 2.5mm square. Screws - M2.5, steel, Cr3+ Zn plated. Pin header and Cage - Brass.
- High quality glass fiber FR-4 PCB, top and bottom dual copper layers.
- DC control signal, Relay action LED indicator, relay input signal reverse connect protection.

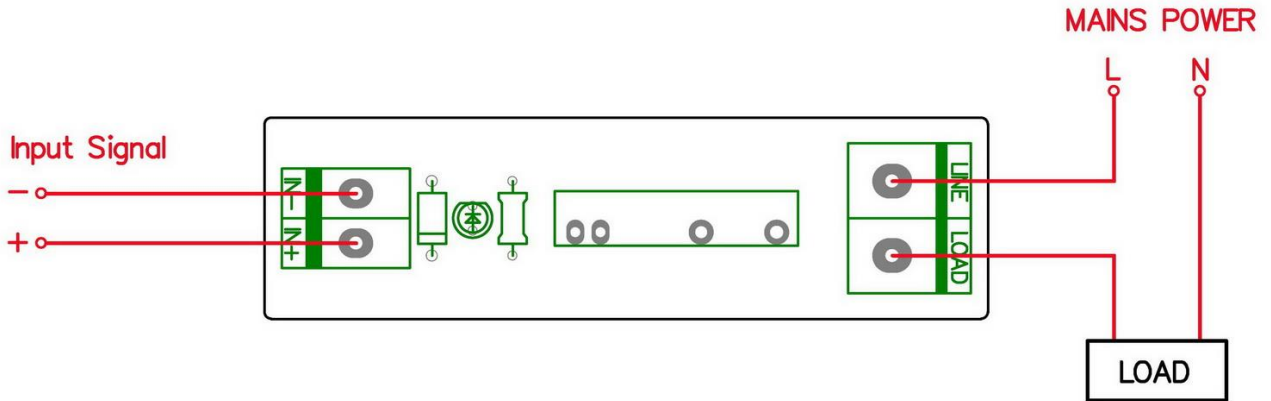
Version:

SKU	Input Voltage	Input Current	Output Load
MD-D1240T/5V-1	DC 4.4 ~ 6.4V	13mA @5VDC	0.1~2Amp 75~264VAC (50/60Hz)
MD-D1240T/12V-1	DC 10 ~ 14.8V	13mA @12VDC	
MD-D1240T/24V-1	DC 19.6 ~ 29.2V	13mA @24VDC	



Electronics-Salon MD-D1240T Series
DIN Rail Mount Slim 2Amp SSR Solid State Relay Module

Wire Connects:



Electronics-Salon MD-D1241T Series

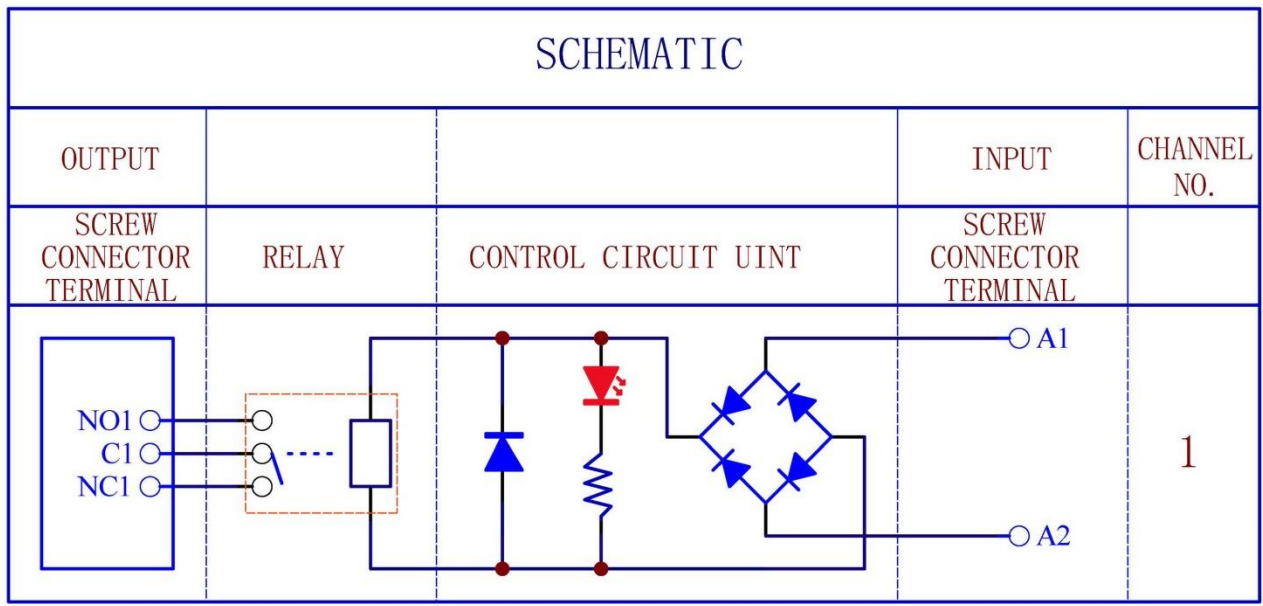
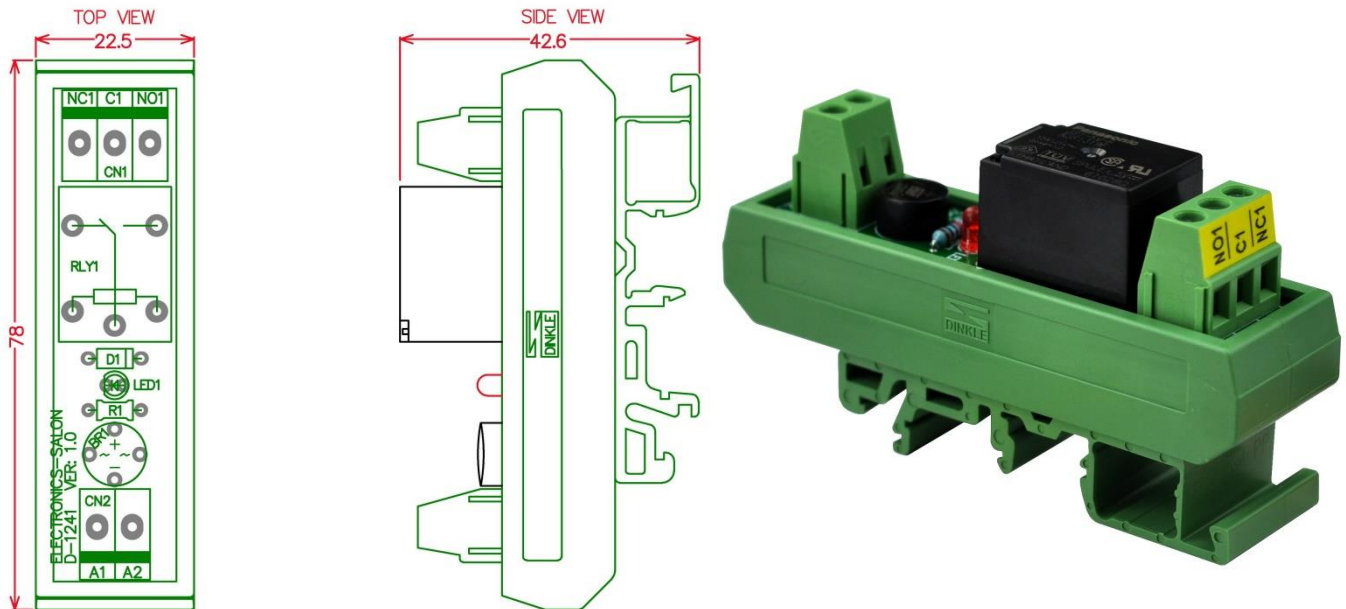
DIN Rail Mount Slim JS1 SPDT 10A Power Relay Module

Features:

- Panasonic JS1-xxV-F 10Amp SPDT power relay.
- Dinkle high quality fireproof nylon material DIN rail mount housing, can support width 35mm, 32mm and 15mm rail.
- High quality screw terminal blocks and clear marking label for terminal block position. Pitch 5.08mm/0.2" screw terminal block. Wire range 26 to 12AWG / 2.5mm square. Screws - M2.5, steel, Cr3+ Zn plated. Pin header and Cage - Brass.
- High quality glass fiber FR-4 PCB, top and bottom dual copper layers.
- Support AC and DC control signal, Relay action LED indicator, relay coil protection by means of a freewheeling diode.

Version:

SKU	Input Voltage	Input Current	Output Switch
MD-D1241T/5V-1	AC 4 ~ 6V, or DC 4 ~ 7V	73mA @5VDC	10A / 250VAC 5A / 30VDC
MD-D1241T/12V-1	AC 10 ~ 14V, or DC 10 ~ 16V	31mA @12VDC	
MD-D1241T/24V-1	AC 18 ~ 26V, or DC 18 ~ 32V	17mA @24VDC	



Electronics-Salon MD-D1242T Series

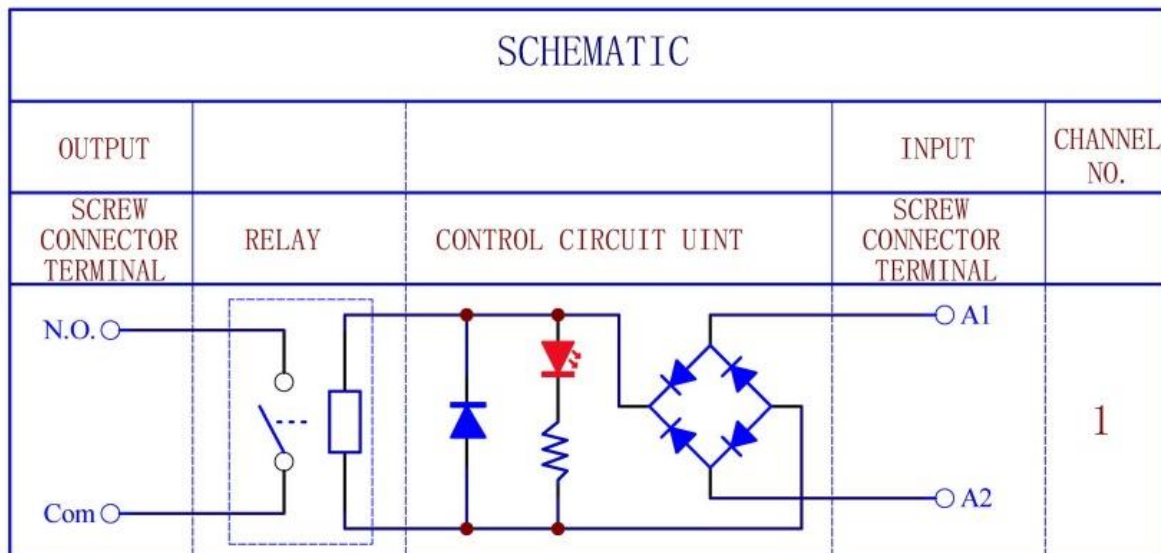
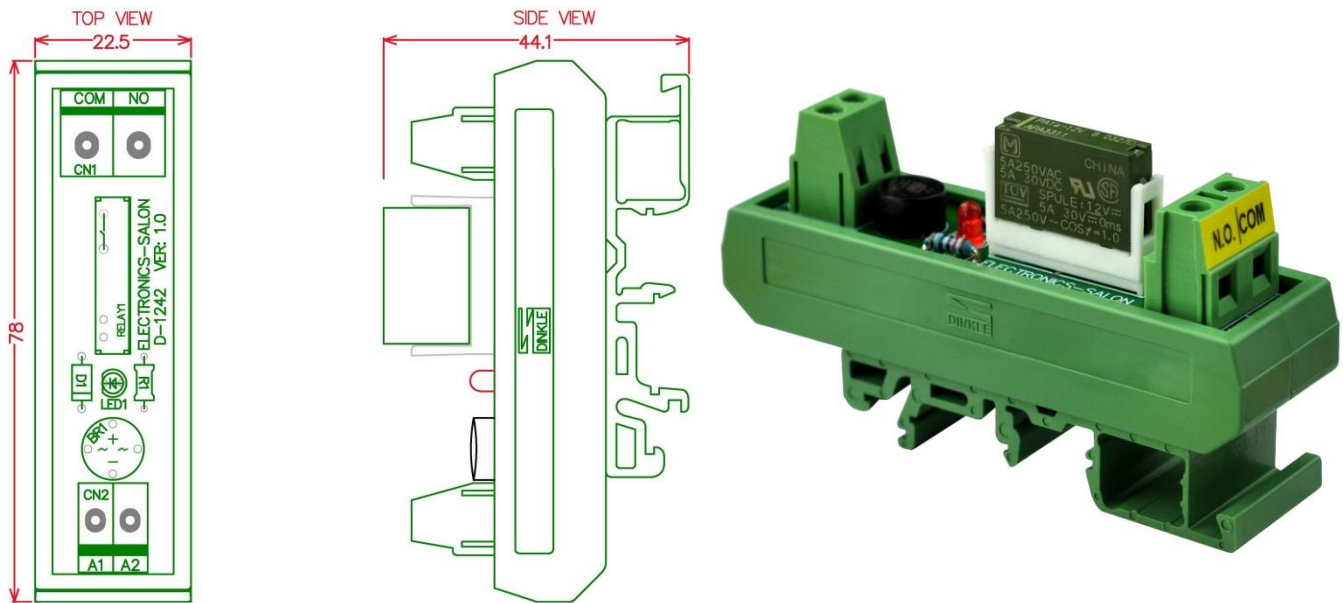
DIN Rail Mount Slim PA1a SPST-NO 5A Power Relay Module

Features:

- Panasonic PA1a SPST-NO 5Amp power relay. Original Panasonic PA1a-PS pluggable socket for support replacement relay, and with removal key.
- Dinkle high quality fireproof nylon material DIN rail mount housing, can support width 35mm, 32mm and 15mm rail.
- High quality screw terminal blocks and clear marking label for terminal block position. Pitch 5.08mm/0.2" and 7.62mm/0.3" screw terminal block. Wire range 26 to 12AWG / 2.5mm square. Screws - M2.5, steel, Cr3+ Zn plated. Pin header and Cage - Brass.
- High quality glass fiber FR-4 PCB, top and bottom dual copper layers.
- Support AC and DC control signal, Relay action LED indicator, relay coil protection by means of a freewheeling diode.

Version:

SKU	Input Voltage	Input Current	Output Switch
MD-D1242T/5V-1	AC 4 ~ 6V, or DC 4 ~ 7V	25mA @5VDC	5A/ 250VAC 5A/ 30VDC
MD-D1242T/12V-1	AC 10 ~ 14V, or DC 10 ~ 15V	11mA @12VDC	
MD-D1242T/24V-1	AC 18 ~ 26V, or DC 18 ~ 30V	9mA @24VDC	



Electronics-Salon MD-D1243T Series

DIN Rail Mount Slim DPDT RY Signal Relay Module

Features:

- Fujist TAKAMISAWA RYxxW-K DPDT signal relay.
- Dinkle high quality fireproof nylon material DIN rail mount housing, can support width 35mm, 32mm and 15mm rail.
- High quality screw terminal blocks and clear marking label for terminal block position. Pitch 5.08mm/0.2" screw terminal block. Wire range 26 to 12AWG / 2.5mm square. Screws - M2.5, steel, Cr3+ Zn plated. Pin header and Cage - Brass.
- High quality glass fiber FR-4 PCB, top and bottom dual copper layers.
- Support AC and DC control signal, Relay action LED indicator, relay coil protection by means of a freewheeling diode.

Version:

SKU	Input Voltage	Input Current	Output Switch
MD-D1243T/5V-1	AC 4 ~ 6V, or DC 4 ~ 7V	31mA @5VDC	Dual 0.5A/ 120VAC Dual 1A/ 24VDC
MD-D1243T/12V-1	AC 10 ~ 14V, or DC 10 ~ 16V	14mA @12VDC	
MD-D1243T/24V-1	AC 18 ~ 26V, or DC 19 ~ 31V	10mA @24VDC	

