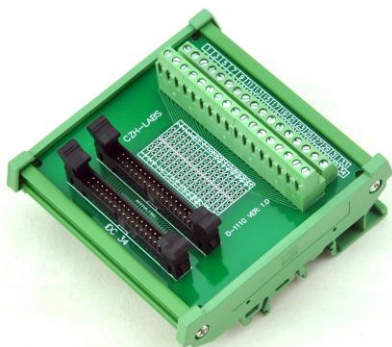
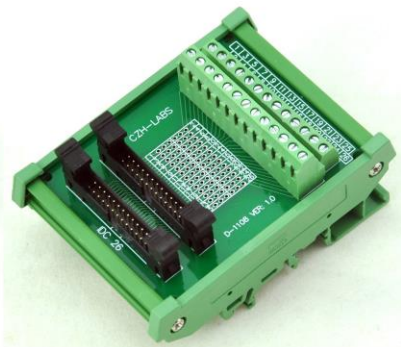
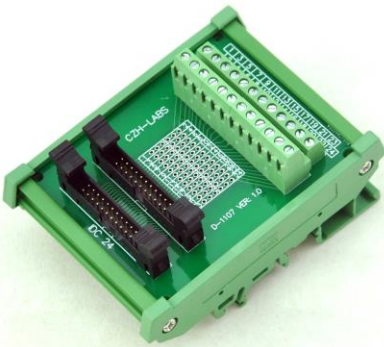


# CZH-LABS

## Electronics-Salon

**Flat Ribbon Cable Connector (2.0mm) Breakout Board Module**  
**MD-D1101 to D1114 Series, IDC 8 to 60 Pins**



**Features:**

- Dual pitch 2.0mm/0.079" IDC male header connectors. IDC1, IDC2 and screw terminal 1:1:1 connects for per line. Dual IDC connectors to convenient for multiple devices connections and controls.
- Miniaturized high quality screw terminal block, position pitch 3.81mm / 0.15"
- Solder connection holes 3 per line, supports addition of 2.0mm / 0.079" pin headers.
- FR-4 fiber glass PCB, dual copper layers.
- Support PCB screw or DIN rail mount version selections. high quality fireproof nylon material DIN rail mount carrier (not China low quality carrier), can support width 35mm / 32mm / 15mm rail, and the carrier can be taken apart for PCB screw mount use.

**Terminal Block:**

Position pitch 3.81mm / 0.15"

Wire range - 26-16AWG.

Strip length - 5mm.

Screws - M2, steel, Cr3+ Zn plated.

Torque - 0.2Nm (1.7Lb-In.).

Pin header and Cage - Brass.

**Specification:**

Rated voltage: 60V.

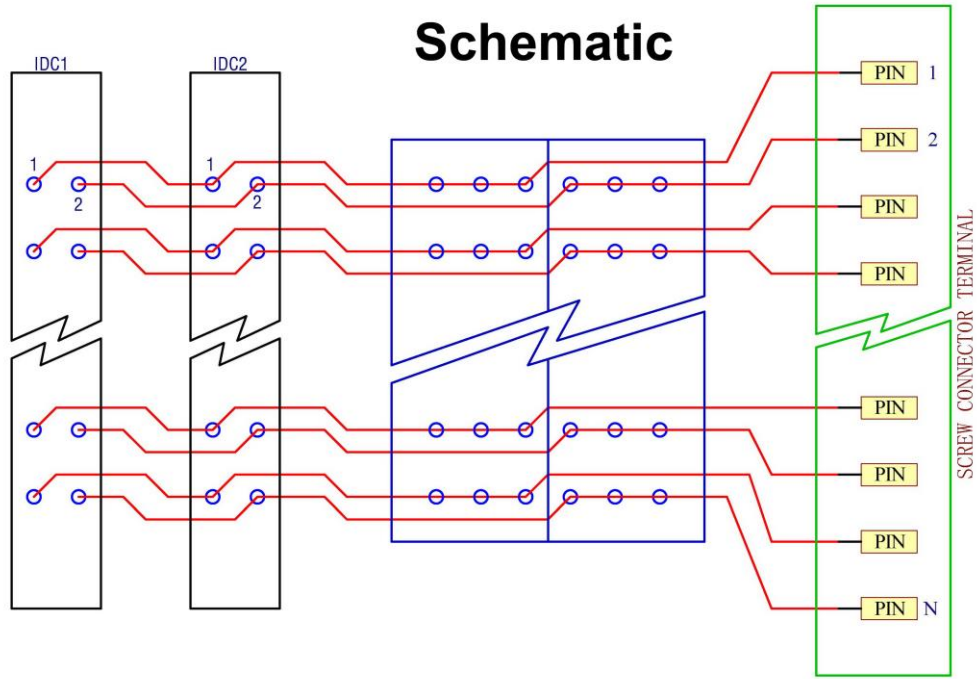
Rated current: 500 mA / per pin.

Operating temperature: -20°C to 70°C

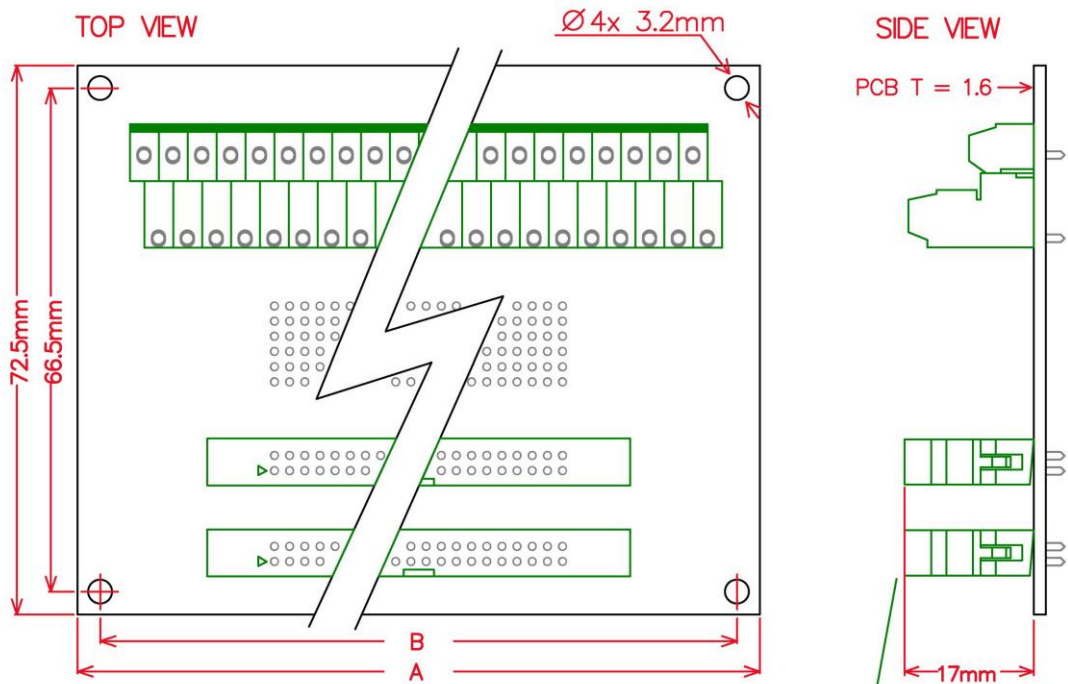
**Version List:**

<b>IDC pins</b>	<b>Series</b>	<b>Part Number</b>	<b>Mount Type</b>
IDC-8	D-1101	MD-D1101-1	PCB screw mount
		MD-D1101T-1	DIN rail mount.
IDC-10	D-1102	MD-D1102-1	PCB screw mount
		MD-D1102T-1	DIN rail mount.
IDC-12	D-1103	MD-D1103-1	PCB screw mount
		MD-D1103T-1	DIN rail mount.
IDC-14	D-1104	MD-D1104-1	PCB screw mount
		MD-D1104T-1	DIN rail mount.
IDC-16	D-1105	MD-D1105-1	PCB screw mount
		MD-D1105T-1	DIN rail mount.
IDC-20	D-1106	MD-D1106-1	PCB screw mount
		MD-D1106T-1	DIN rail mount.
IDC-24	D-1107	MD-D1107-1	PCB screw mount
		MD-D1107T-1	DIN rail mount.
IDC-26	D-1108	MD-D1108-1	PCB screw mount
		MD-D1108T-1	DIN rail mount.
IDC-30	D-1109	MD-D1109-1	PCB screw mount
		MD-D1109T-1	DIN rail mount.
IDC-34	D-1110	MD-D1110-1	PCB screw mount
		MD-D1110T-1	DIN rail mount.
IDC-40	D-1111	MD-D1111-1	PCB screw mount
		MD-D1111T-1	DIN rail mount.
IDC-44	D-1112	MD-D1112-1	PCB screw mount
		MD-D1112T-1	DIN rail mount.
IDC-50	D-1112	MD-D1113-1	PCB screw mount
		MD-D1113T-1	DIN rail mount.
IDC-60	D-1114	MD-D1114-1	PCB screw mount
		MD-D1114T-1	DIN rail mount.

**Schematic:**

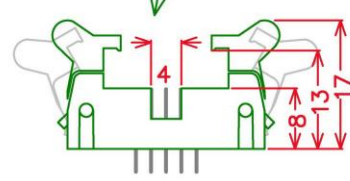


**PCB Screw Mount Dimensions:**

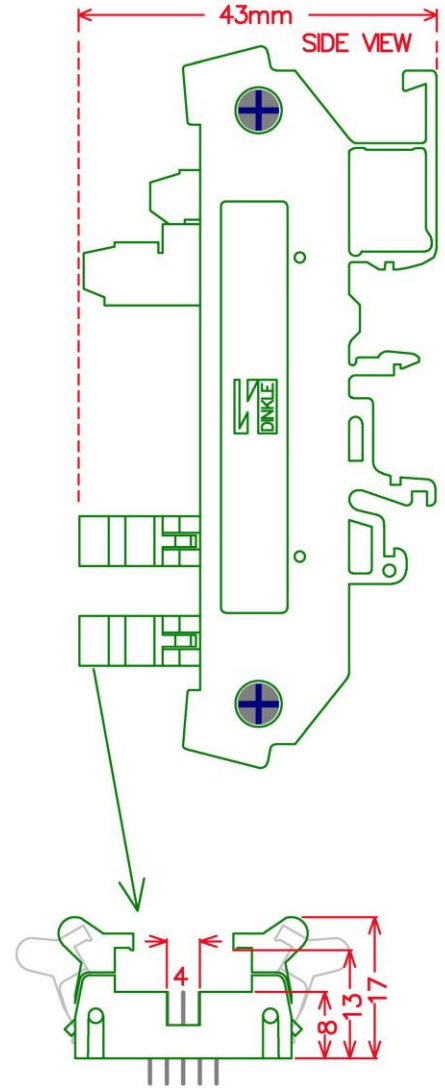
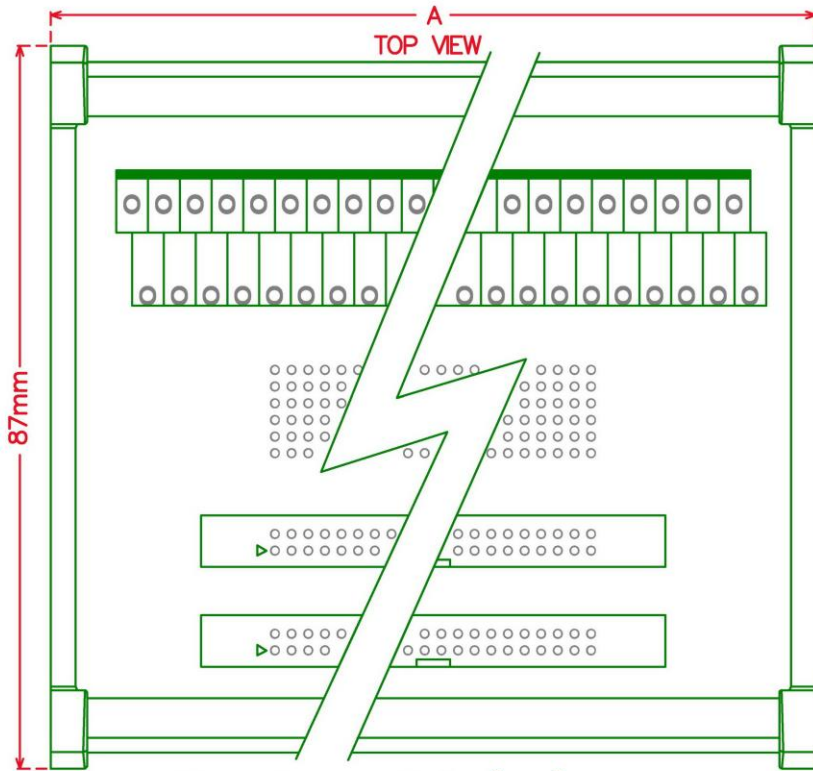


Dimensions Unit (mm)

IDC TYPE	MODULE	A	B
IDC8	D-1101	47.352	41.352
IDC10	D-1102	47.352	41.352
IDC12	D-1103	47.352	41.352
IDC14	D-1104	47.352	41.352
IDC16	D-1105	47.352	41.352
IDC20	D-1106	47.352	41.352
IDC24	D-1107	60	54
IDC26	D-1108	60	54
IDC30	D-1109	70	64
IDC34	D-1110	80	74
IDC40	D-1111	90	84
IDC44	D-1112	100	94
IDC50	D-1113	110	104
IDC60	D-1114	137.352	131.352



## DIN Rail Mount Dimensions:



Dimensions Unit (mm)

DC TYPE	MODULE	A
DC8	D-1101	49.352
DC10	D-1102	49.352
DC12	D-1103	49.352
DC14	D-1104	49.352
DC16	D-1105	49.352
DC20	D-1106	49.352
DC24	D-1107	62
DC26	D-1108	62
DC30	D-1109	72
DC34	D-1110	82
DC40	D-1111	92
DC44	D-1112	102
DC50	D-1113	112
DC60	D-1114	139.352

[lisheng@chunzehui.com](mailto:lisheng@chunzehui.com)

[www.czhlabs.com](http://www.czhlabs.com)

[www.electronics-salon.com](http://www.electronics-salon.com)