

Chunzehui Electronics-Salon CZH-LABS

Model: F-1010

Low Loss PWRtimer Power Switch or ON/OFF Timer Module

SUK: MD-F1010-1



The PWRtimer module is a simple power switch ON/OFF, timer ON or timer OFF system. Timer range 0 to 31 hours and per step 1 hour. Power ON/OFF, time UP and DOWN buttons. Design based on a microcontroller and low loss MOSFETs (on status resistance 0.0023 ohm). Operating buttons, timer start and timer stop there are buzzer sounds to remind you.

Features:

- Standard Power pole connectors.
- Design based on microcontroller and low loss MOSFETs (on status resistance 0.0023 ohm), you do not have to add heatsinks even for 30 Amps of continuous working current.
- Power switch ON/OFF, timer ON or timer OFF system functions. Timer range 0 to 31 hours and per step 1 hour, combined LEDs residual time indication, for example 5 hours, LED 1 and 4 light is on(1+4=5H), other LED is off. Operating buttons, timer start and timer stop there are buzzer sounds to remind you. Timer stopped buzzer sound remind 60 seconds, if you want stop the sound, pressing any button will stop the sound.
- High quality aluminum enclosure, thickness 1.5mm/0.06".
- Attachment includes: 2x black power pole housings.
2x red power pole housings.
2x PVC cover flame retardant sleeve.
4x silver plated copper 30A 14-12AWG power pole contacts.

Specification:

Operating voltage: DC 8 ~ 28V

Quiescent current: < 9mA (at 13.8V)

Max. output current: 40A (< 5 seconds)

Max. continuous output current: 30A

Voltage drop: 0.025V (at 10A)
0.070V (at 30A)

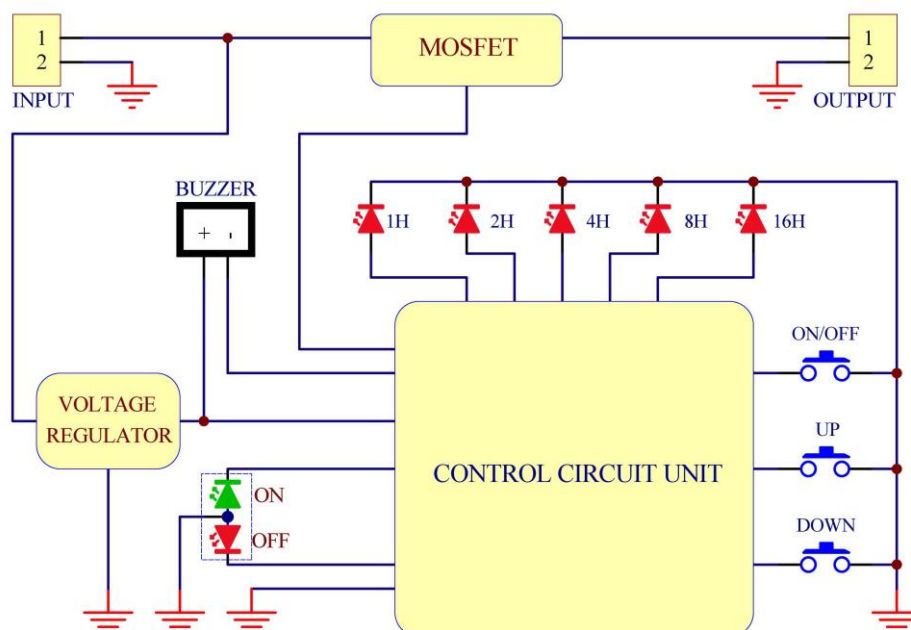
Timer range: 0 ~ 31 hours, per step 1 hour.

Timing accuracy: < 60ppm, (< 1second / hour)

MOSFETs: 30V 40A P-Channel, on status resistance 0.0023 ohm.

Connectors: compatible 45A power pole connectors, **Red is positive, Black is negative.**

Schematic diagram:



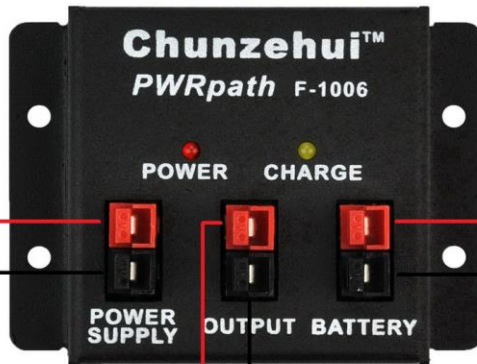


POWER SUPPLY



BATTEERY

POWER PATH



POWER TIMER



LOAD

