

# CZH-LABS

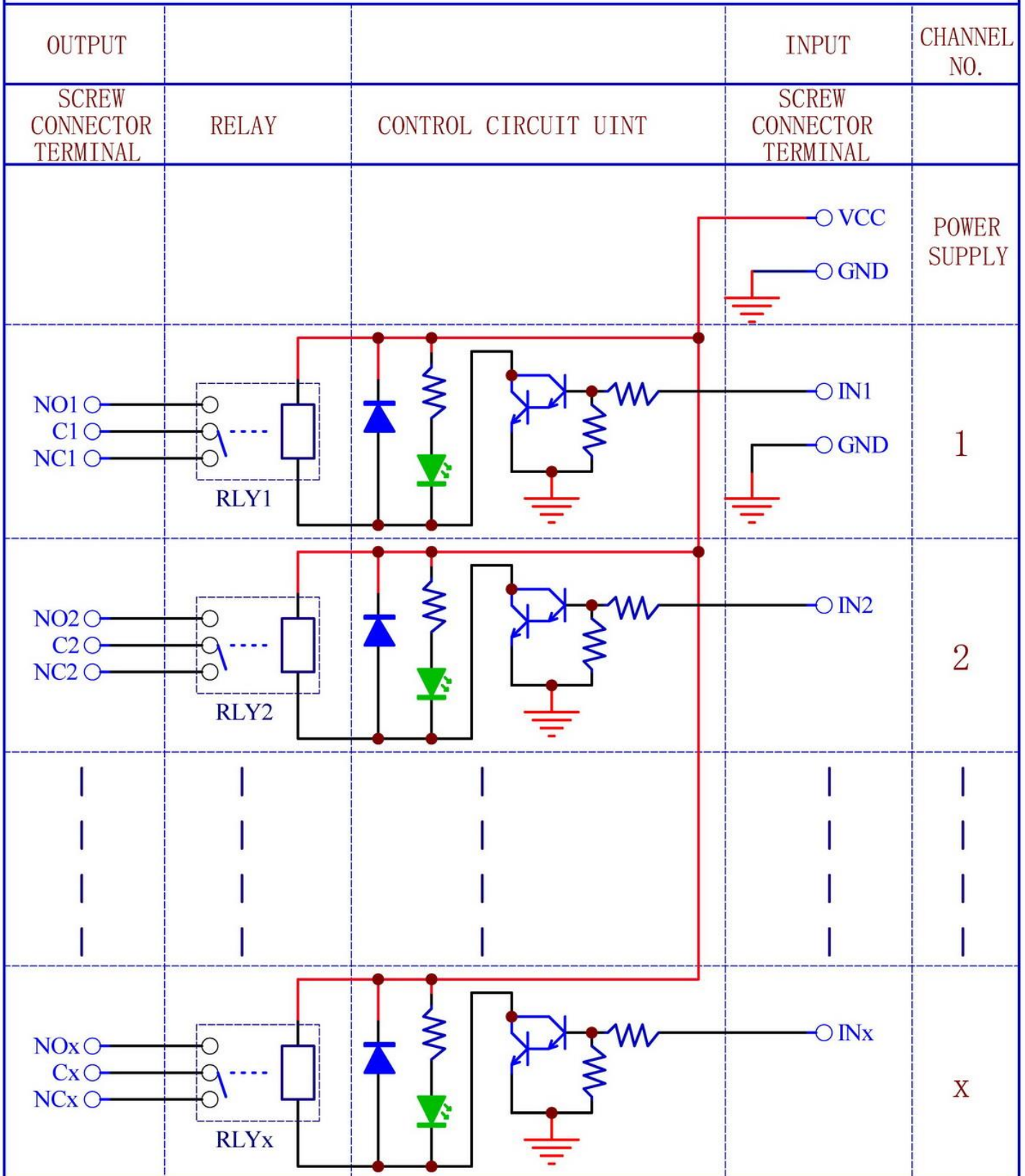
## Electronics-Salon

**8 SPDT 10Amp Power Relay Module**  
**Model: D-228 Series (Ver. 2.0)**



**Schematic:**

SCHMATIC

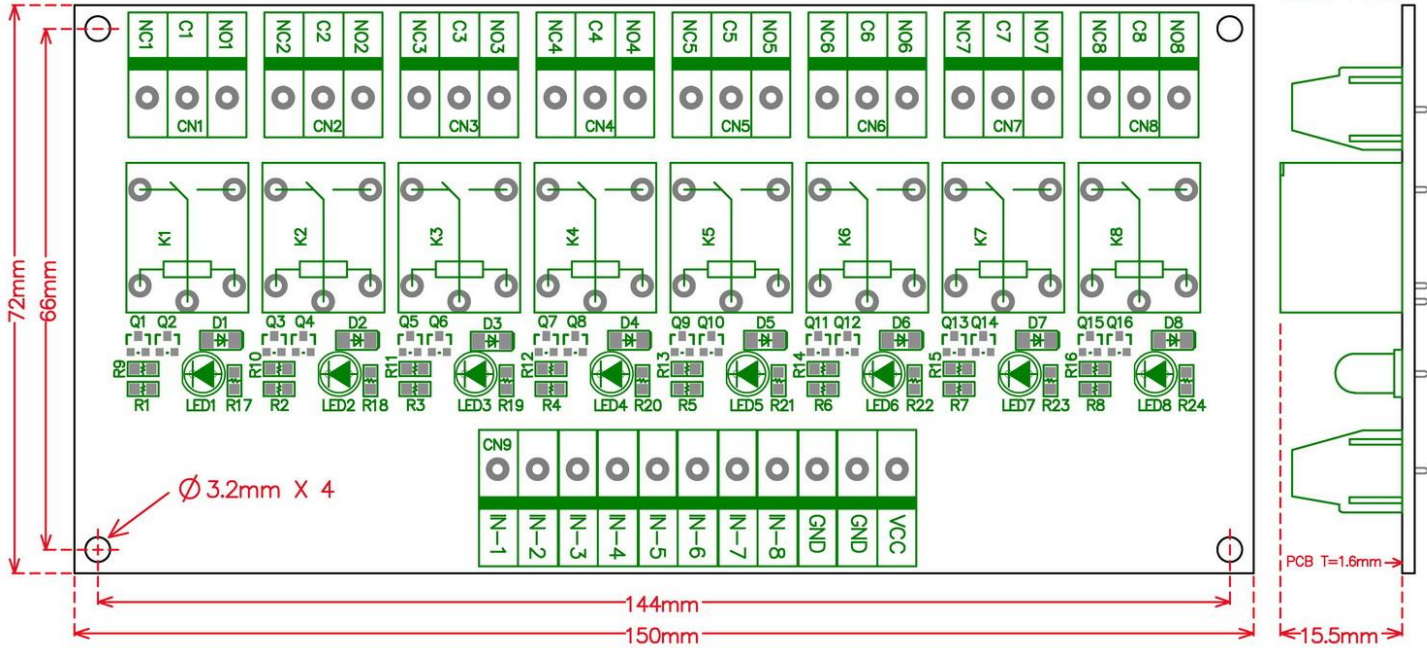


# Dimensions:

## Panel mount

TOP VIEW

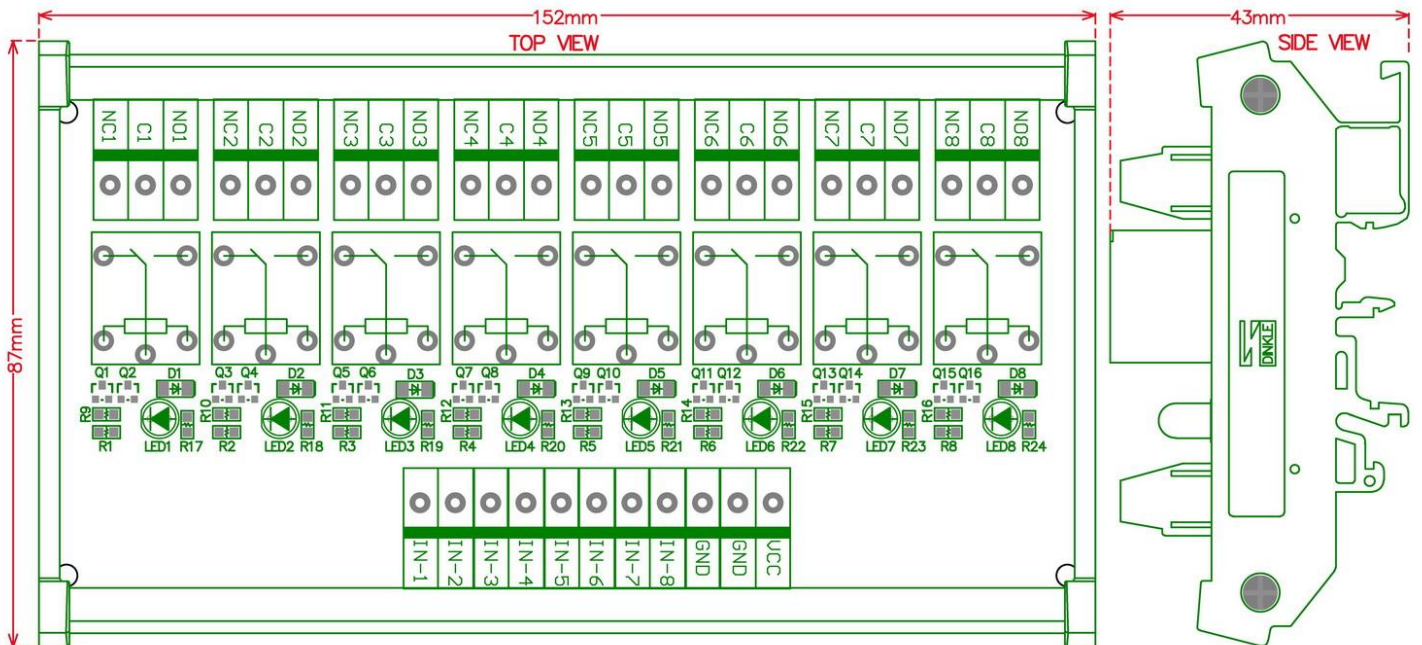
SIDE VIEW



## DIN rail mount

TOP VIEW

SIDE VIEW



**Feature:**

- 8 SPDT 10Amp power relays.
- LED indicator for each relay channel.
- Darlington transistors drive relay coil (for 5V / 12V / 24V versions).
- High quality screw terminal block.
- FR-4 fiber glass PCB, dual copper layers.
- Panel mount or DIN rail mount versions are available. Taiwan DINKLE fireproof nylon material DIN rail mount carrier (not China low quality carrier), can support width 35mm / 32mm / 15mm rail, and the carrier can be taken apart for panel mount use.

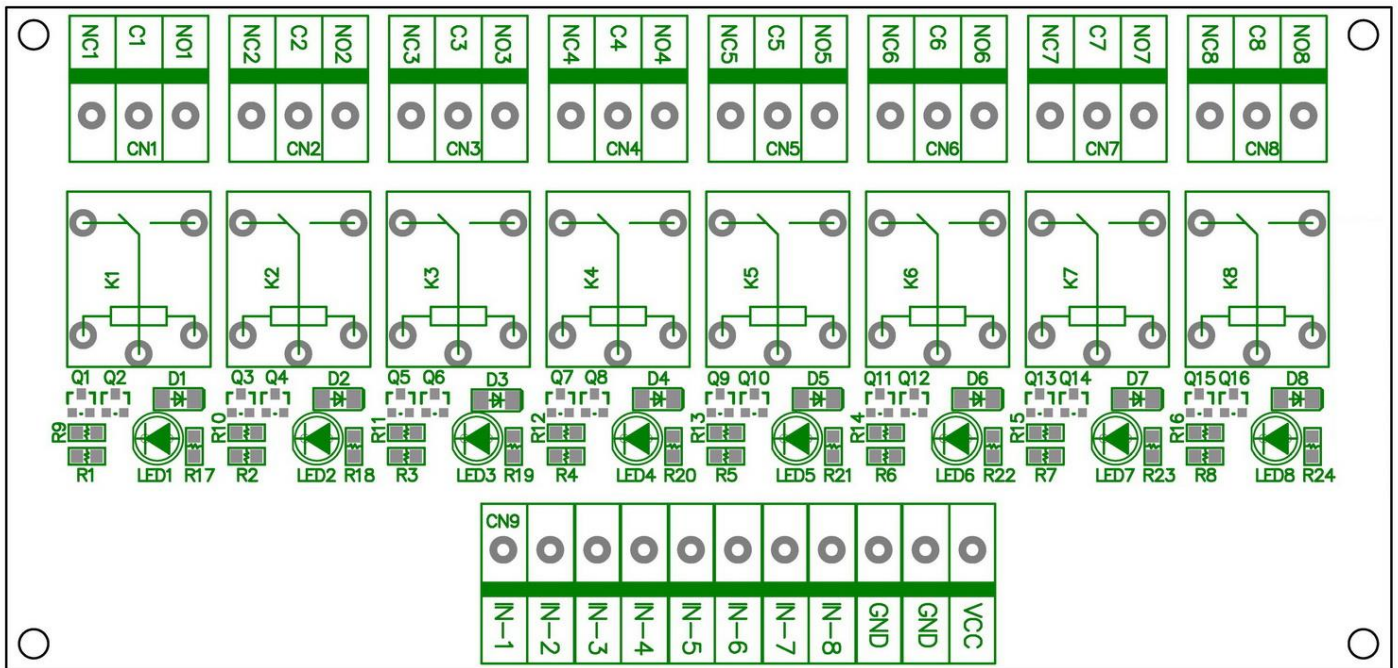
**Version List:**

Part Number	Mount Type	Standard Operating Voltage
MD-D228/5V-1	Panel mount	5V DC
MD-D228T/5V-1	DIN rail mount	
MD-D228/12V-1	Panel mount	12V DC
MD-D228T/12V-1	DIN rail mount	
MD-D228/24V-1	Panel mount	24V DC
MD-D228T/24V-1	DIN rail mount	
MD-D228/48V-1	Panel mount	48V DC
MD-D228T/48V-1	DIN rail mount	

**Characteristic Parameters:**

Operating voltage				
Voltage version	5V	12V	24V	48V
Operating voltage range	3.8~7.5VDC	9~18VDC	18~36VDC	36~60VDC
Operating current (relay all action)	720mA	400mA	280mA	80mA
Operating current (relay all no action)	0mA			
Control signal input				
Low level (Relay no action)	0V ~ 0.5V			
High level (Relay action)	2.5V ~ 24V			
High level current	0.1mA@2.5V 0.4mA@5V 1.1mA@12V 2.2mA@24V			0.4mA@2.5V 1.0mA@5V 2.4mA@12V 5.0mA@24V
Output (relay switch) contact rating				
For AC	125/250VAC, 10Amp			
For DC	30VDC, 5Amp			

## Wire Connect:



VCC: Operating power supply input (V+).

GND: Operating power supply 0V(ground).

GND: Control signal input 0V(ground).

IN-x: Control signals input.

NOx: Relay switch normally open terminal.

NCx: Relay switch normally close terminal.

Cx: Relay switch common terminal.

## Terminal Block:

Pitch 5.0mm/0.197" screw terminal block.

Wire range 24AWG ~ 12AWG / 2.5mm<sup>2</sup>

Strip length 7mm.

Screws - M2.5, steel, Cr3+ Zn plated.

Pin header and Cage - Brass.

<http://www.electronics-salon.com>

[lisheng@chunzehui.com](mailto:lisheng@chunzehui.com)