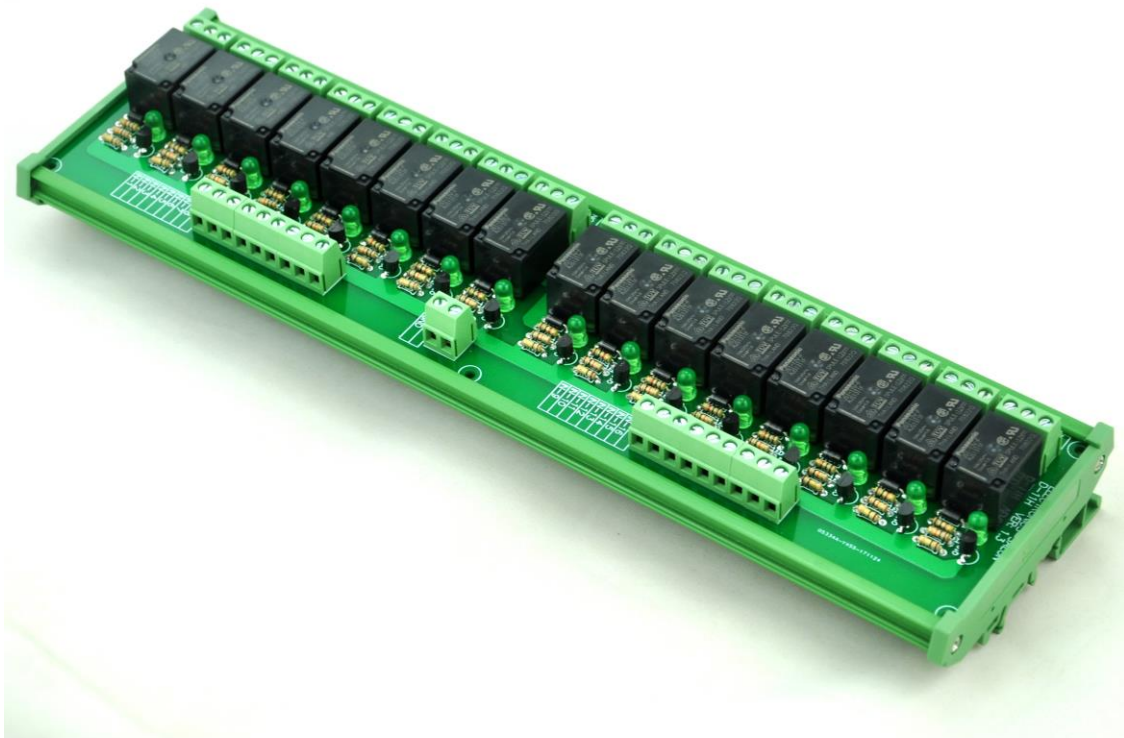


CZH-LABS

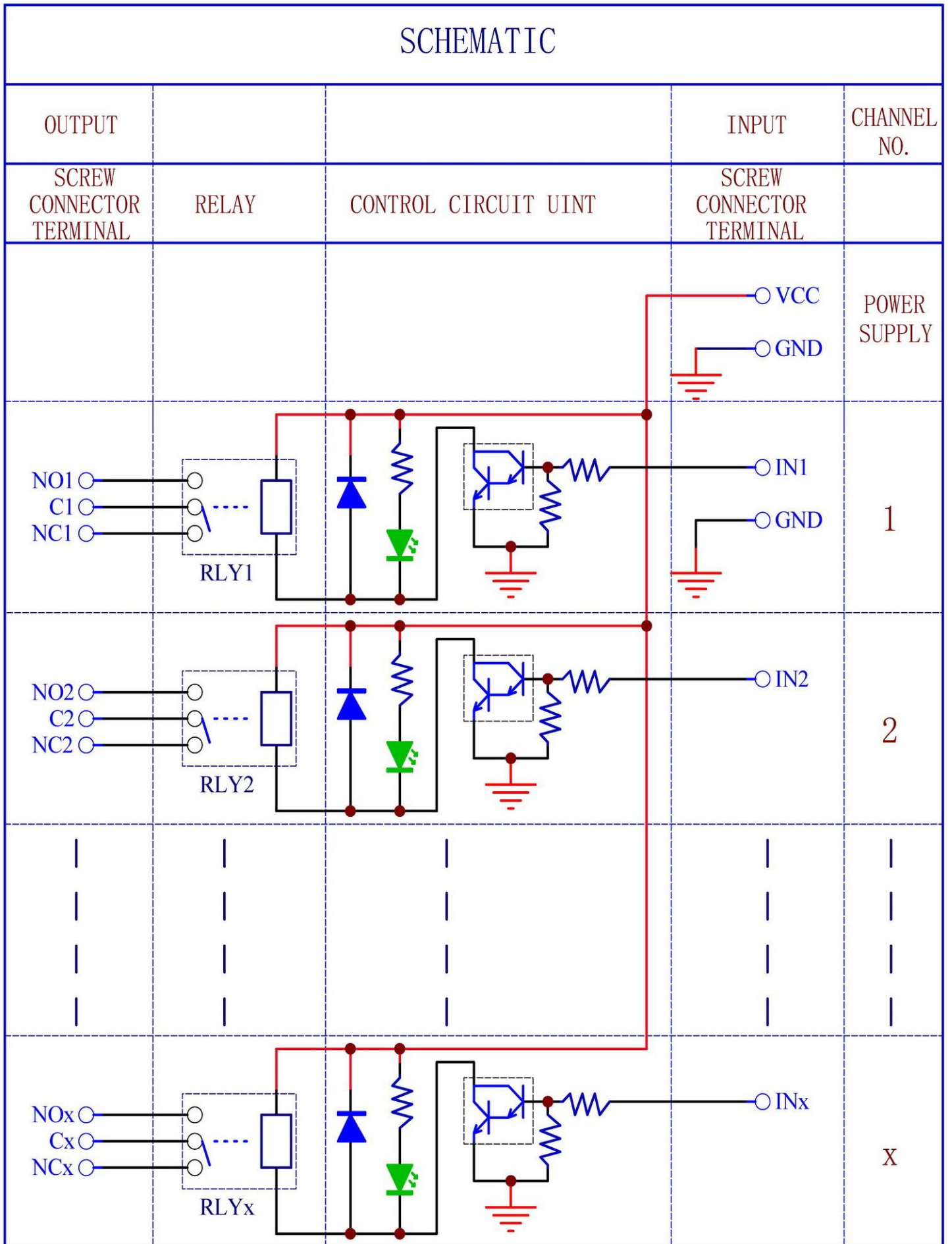
Electronics-Salon

16 SPDT 10Amp Power Relay Module
Model: D-11H Series



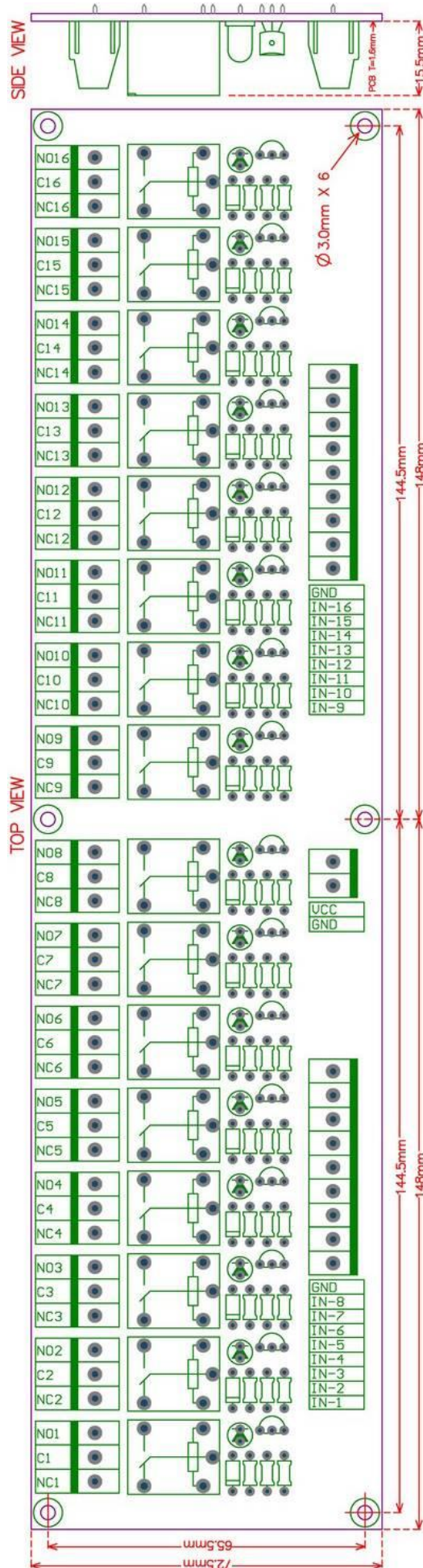
Schematic:

SCHMATIC

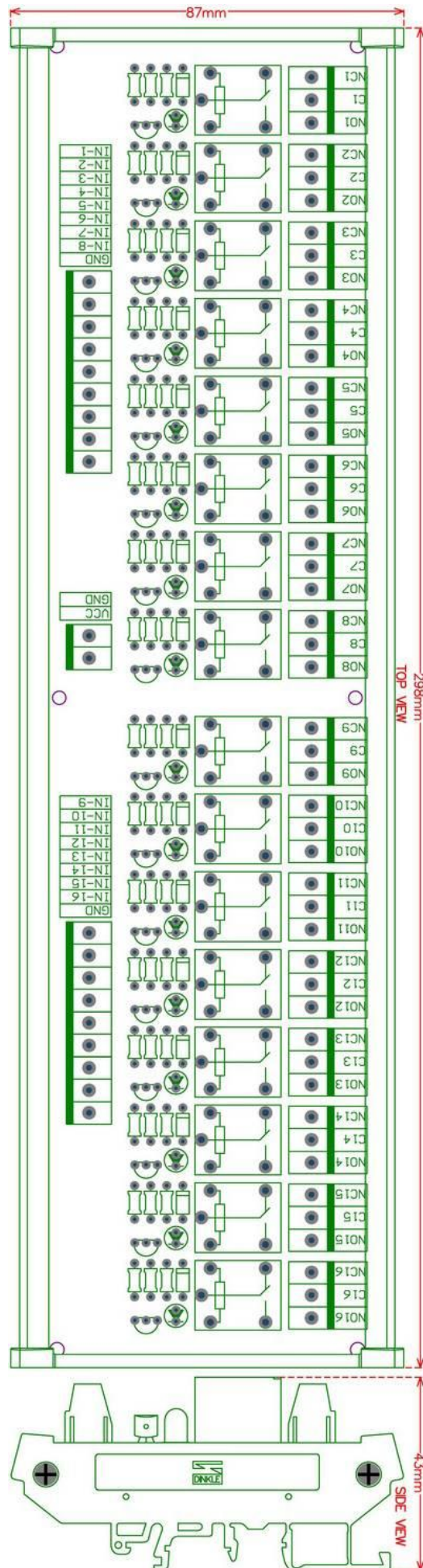


Dimensions:

Panel mount



DIN rail mount



Feature:

- 16 SPDT 10Amp power relays.
- LED indicator for each relay channel.
- Darlington transistor drive relay coil (for 5V / 12V / 24V versions).
- High quality screw terminal block.
- FR-4 fiber glass PCB, dual copper layers.
- Panel mount or DIN rail mount versions are available. Taiwan DINKLE fireproof nylon material DIN rail mount carrier (not China low quality carrier), can support width 35mm / 32mm / 15mm rail, and the carrier can be taken apart for panel mount use.

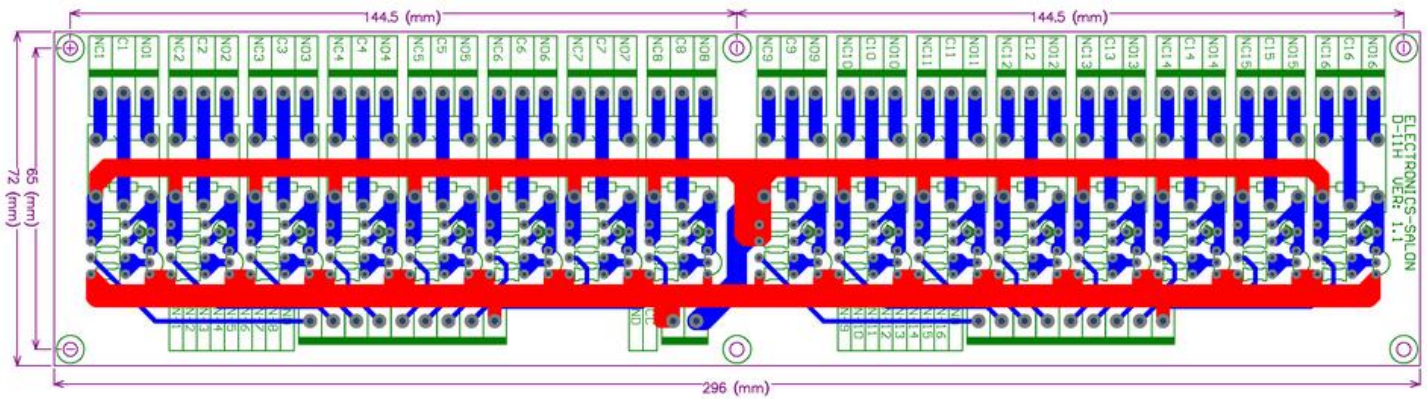
Version List:

Part Number	Mount Type	Standard Operating Voltage
MD-D11H/5V-1	Panel mount	5V DC
MD-D11H T/5V-1	DIN rail mount	
MD-D11H /12V-1	Panel mount	12V DC
MD-D11H T/12V-1	DIN rail mount	
MD-D11H /24V-1	Panel mount	24V DC
MD-D11H T/24V-1	DIN rail mount	
MD-D11H /48V-1	Panel mount	48V DC
MD-D11H T/48V-1	DIN rail mount	

Characteristic Parameters:

Operating voltage				
Voltage version	5V	12V	24V	48V
Operating voltage range	3.8~7.5VDC	9~18VDC	18~36VDC	36~60VDC
Operating current (relay all action)	1440mA	800mA	560mA	160mA
Operating current (relay all no action)	0mA			
Control signal input				
Low level (Relay no action)	0V ~ 0.5V			
High level (Relay action)	2.5V ~ 24V			
High level current	0.1mA@2.5V 0.4mA@5V 1.1mA@12V 2.2mA@24V			0.4mA@2.5V 1.0mA@5V 2.4mA@12V 5.0mA@24V
Output (relay switch) contact rating				
For AC	125/250 VAC, 10Amp			
For DC	30VDC, 5Amp			

Wire Connect:



VCC: Operating power supply input (V+).

GND: Operating power supply 0V(ground).

GND: Control signal input 0V(ground).

IN-x: Control signals input.

NOx: Relay switch normally open terminal.

NCx: Relay switch normally close terminal.

Cx: Relay switch common terminal.

Terminal Block:

Pitch 5.0mm/0.197" screw terminal block.

Wire range 24AWG ~ 12AWG / 2.5mm²

Strip length 7mm.

Screws - M2.5,steel,Cr3+ Zn plated.

Pin header and Cage - Brass.

<http://www.electronics-salon.com>

451458699@qq.com