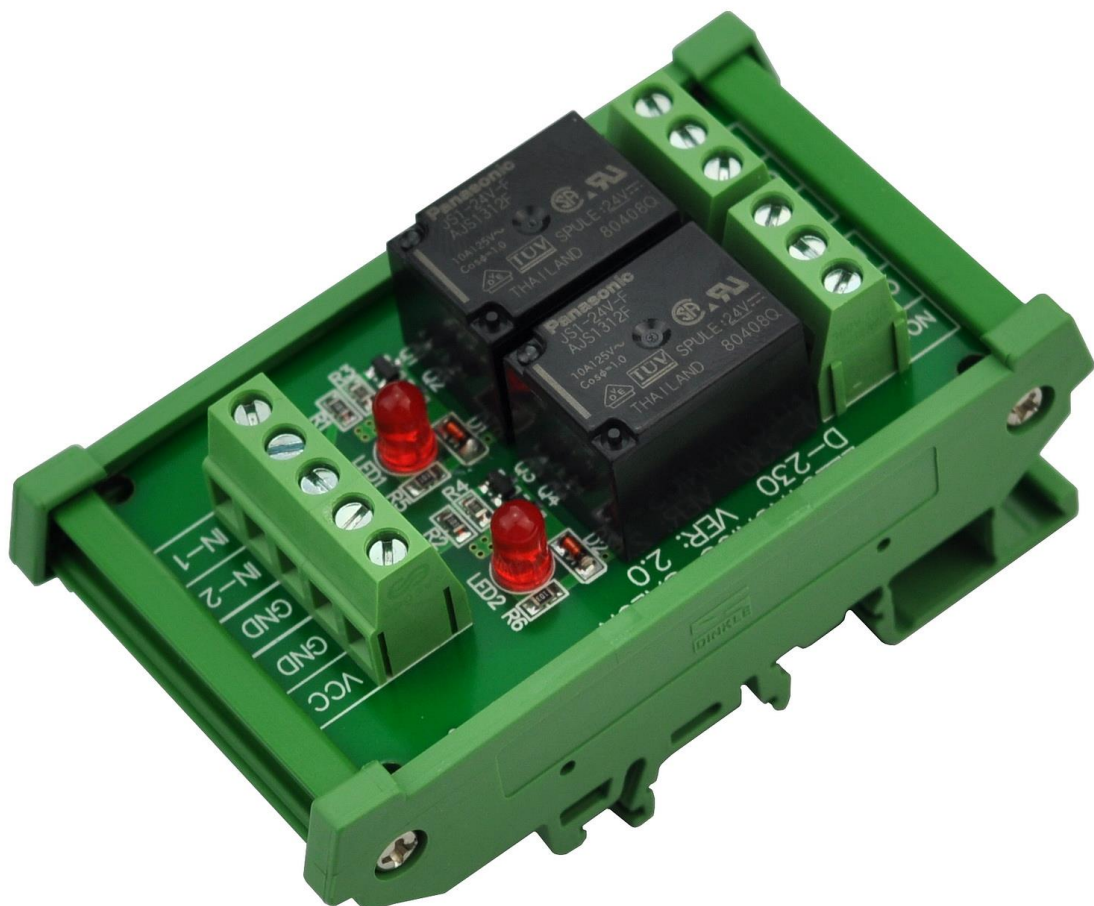


# Chunzehui Electronics-Salon

**2 SPDT 10Amp Power Relay Module**  
**Model: D-230 Series, Ver: 2.0**



**Feature:**

- 2 SPDT 10Amp power relays.
- LED indicator for each relay channel.
- Darlington transistor circuits drive relay coil (for 5V / 12V / 24V versions).
- High quality screw terminal block.
- FR-4 fiber glass PCB, dual copper layers.
- Panel mount or DIN rail mount versions are available. Taiwan DINKLE fireproof nylon material DIN rail mount carrier (not China low quality carrier), can support width 35mm / 32mm / 15mm rail, and the carrier can be taken apart for panel mount use.

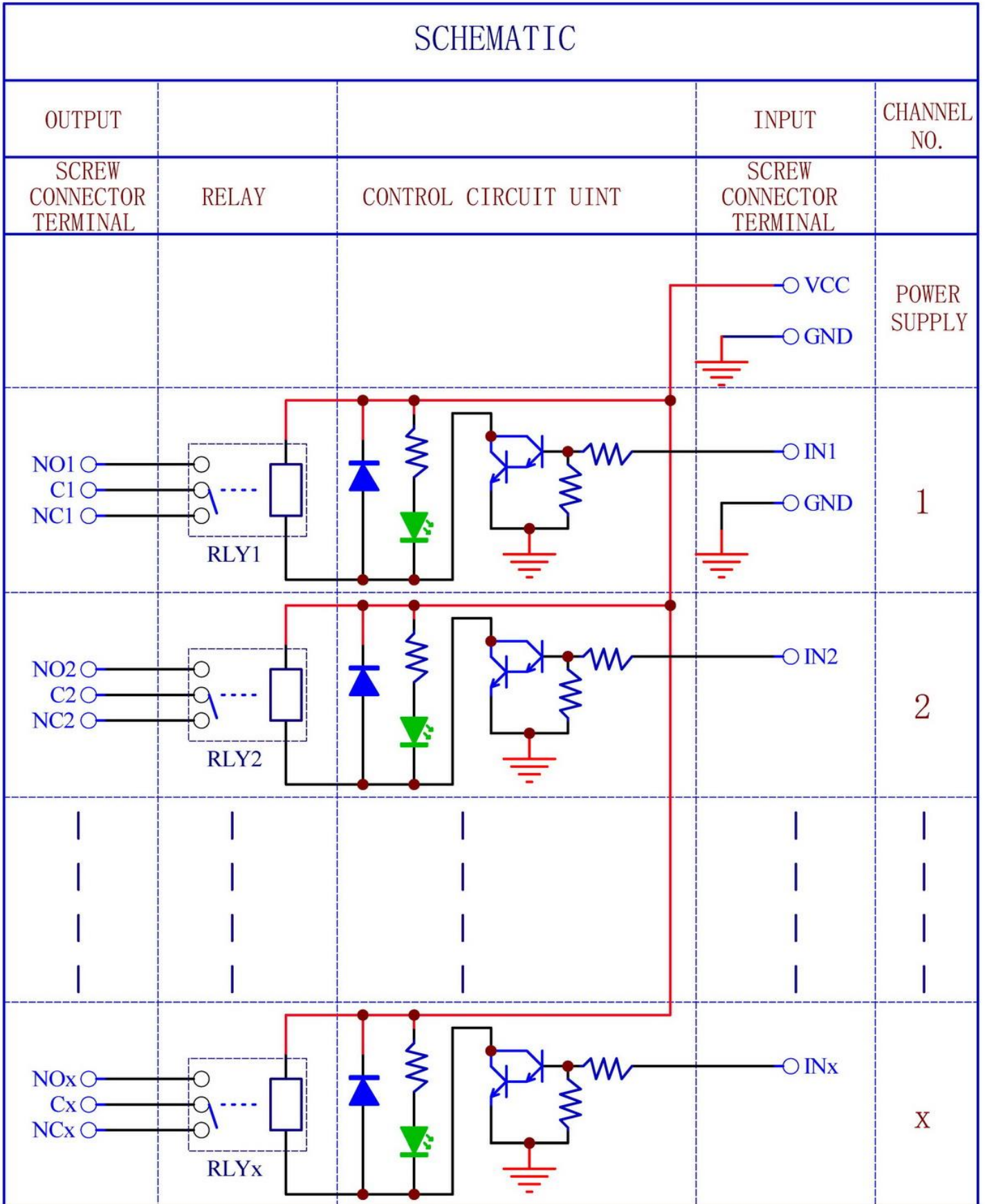
**Version List:**

Part Number	Mount Type	Standard Operating Voltage
MD-D230/5V-1	Panel mount	5V DC
MD-D230T/5V-1	DIN rail mount	
MD-D230/12V-1	Panel mount	12V DC
MD-D230T/12V-1	DIN rail mount	
MD-D230/24V-1	Panel mount	24V DC
MD-D230T/24V-1	DIN rail mount	
MD-D230/48V-1	Panel mount	48V DC
MD-D230T/48V-1	DIN rail mount	

**Characteristic Parameters:**

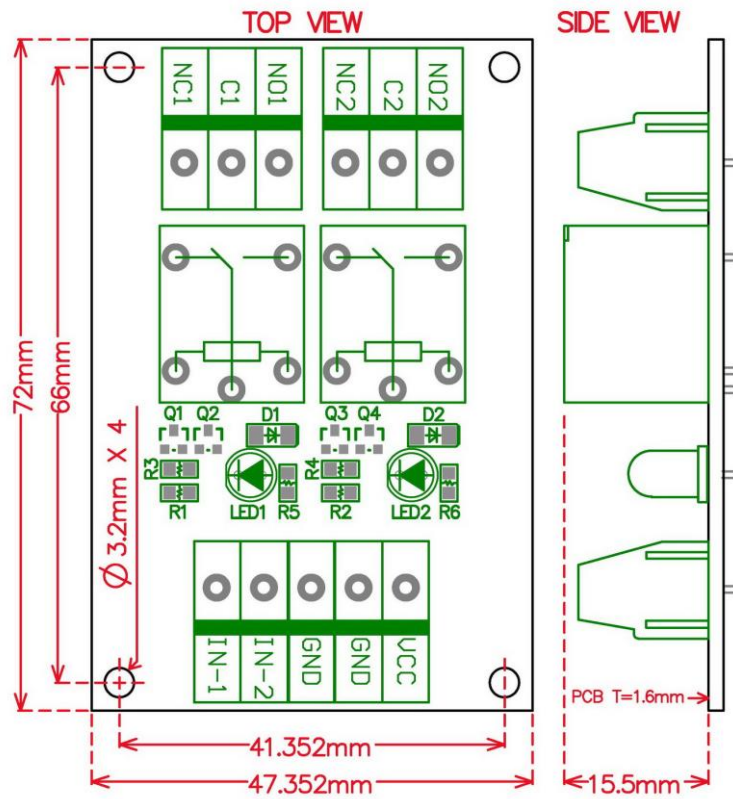
Operating voltage				
Voltage version	5V	12V	24V	48V
Operating voltage range	3.8~7.5VDC	9~18VDC	18~36VDC	36~60VDC
Operating current (relay all action)	180mA	100mA	60mA	20mA
Operating current (relay all no action)	0mA			
Control signal input				
Low level (Relay no action)	0V ~ 0.5V			
High level (Relay action)	2.5V ~ 24V			
High level current	0.1mA@2.5V 0.4mA@5V 1.1mA@12V 2.2mA@24V			0.4mA@2.5V 1.0mA@5V 2.4mA@12V 5.0mA@24V
Output (relay switch) contact rating				
For AC	125/250 VAC, 10Amp			
For DC	30VDC, 5Amp			

**Schematic:**

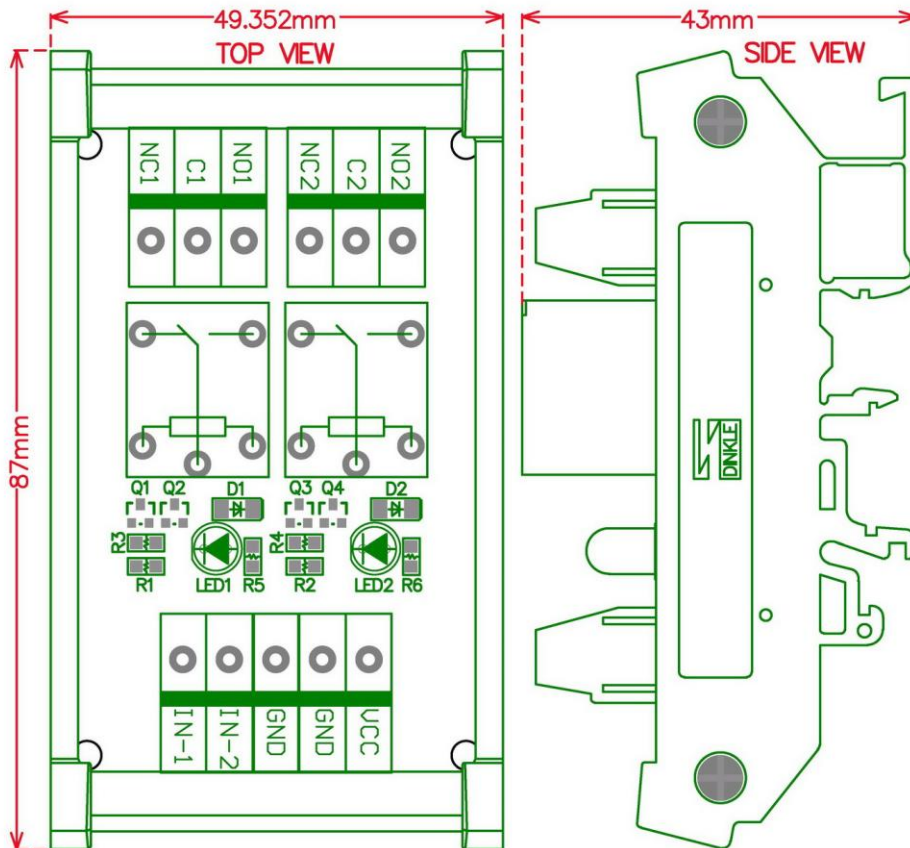


# Dimensions:

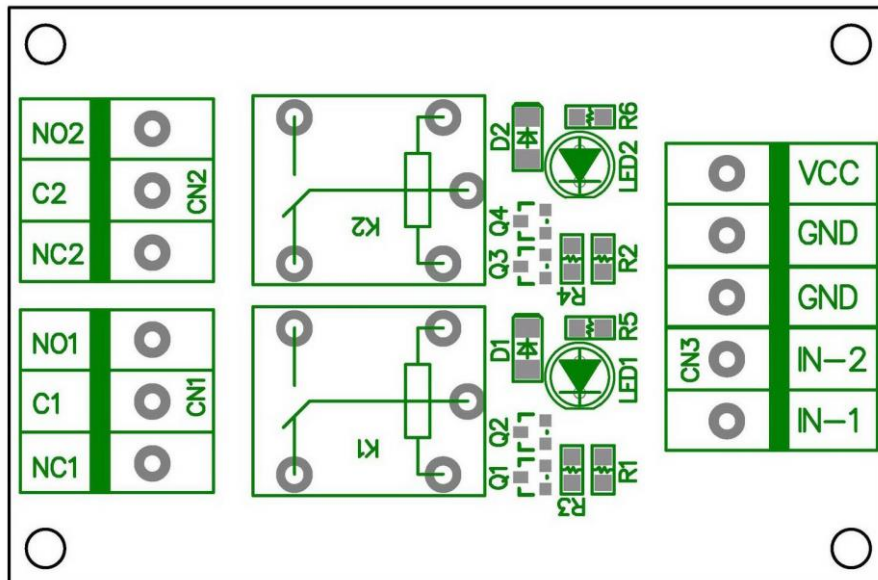
## Panel mount



## DIN rail mount



## Wire Connect:



VCC: Operating power supply input (V+).  
GND: Operating power supply 0V(ground).  
GND: Control signal input 0V(ground).  
IN-x: Control signals input.  
NOx: Relay switch normally open terminal.  
NCx: Relay switch normally close terminal.  
Cx: Relay switch common terminal.

## Terminal Block:

Pitch 5.0mm/0.197" screw terminal block.  
Wire range 24AWG ~ 12AWG / 2.5mm<sup>2</sup>  
Strip length 7mm.  
Screws - M2.5,steel,Cr3+ Zn plated.  
Pin header and Cage - Brass.

<http://www.electronics-salon.com>  
[451458699@qq.com](mailto:451458699@qq.com)