

CZH-LABS.com Electronics-Salon

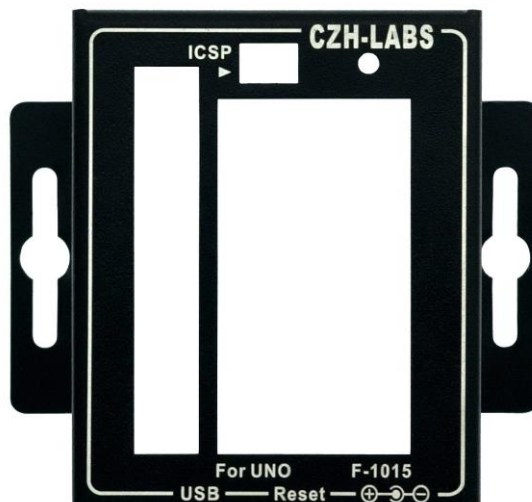
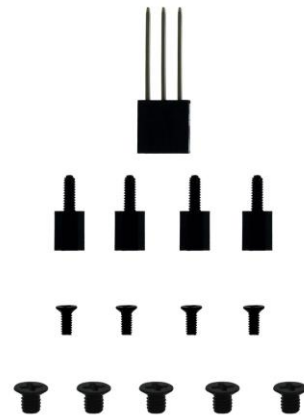
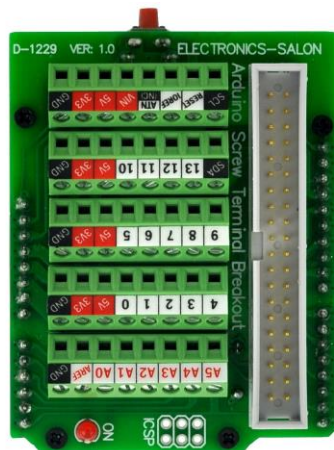
**Screw Terminal Block Breakout Module with Aluminum
Enclosure, for Arduino UNO**

Model: F-1015

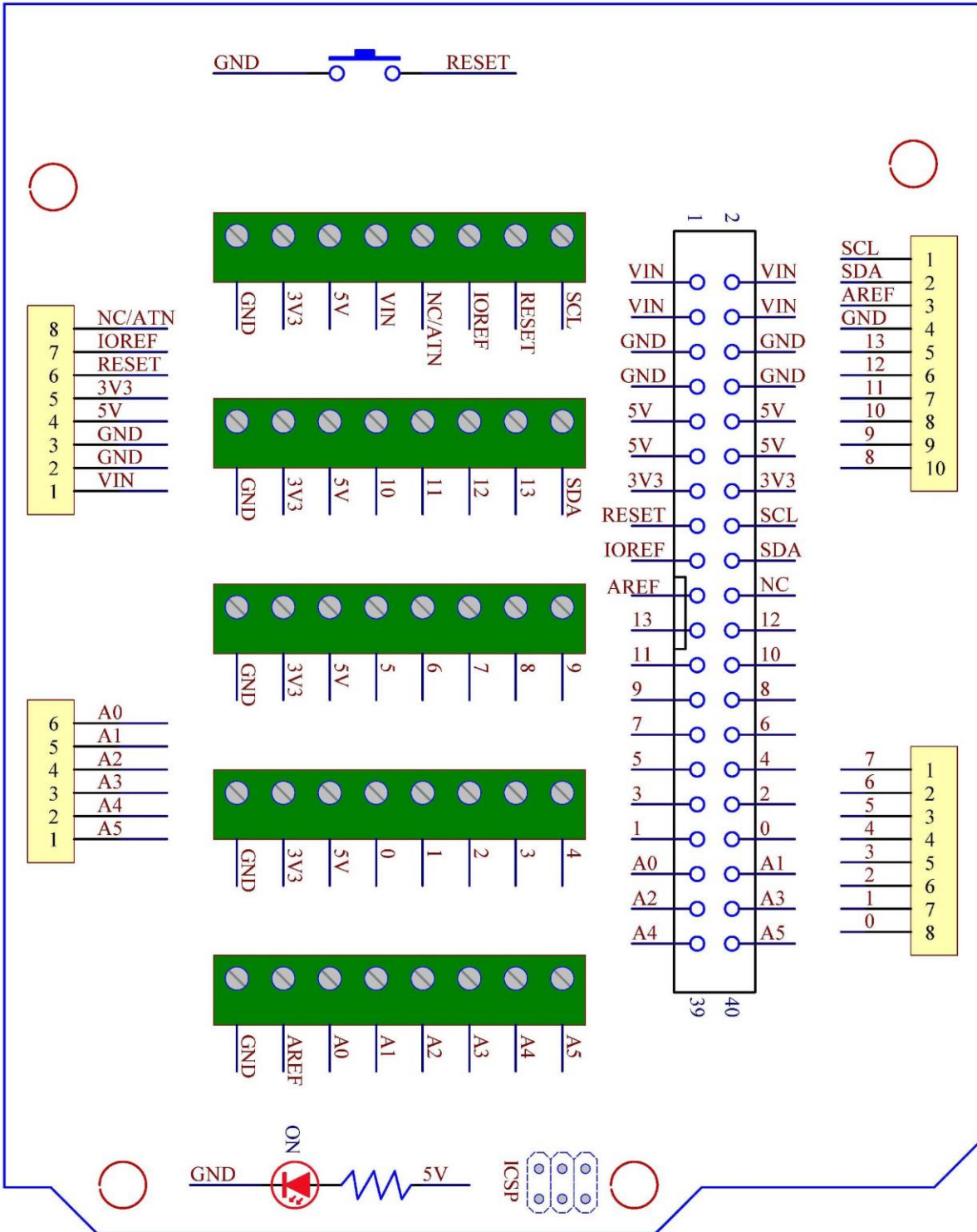


Feature:

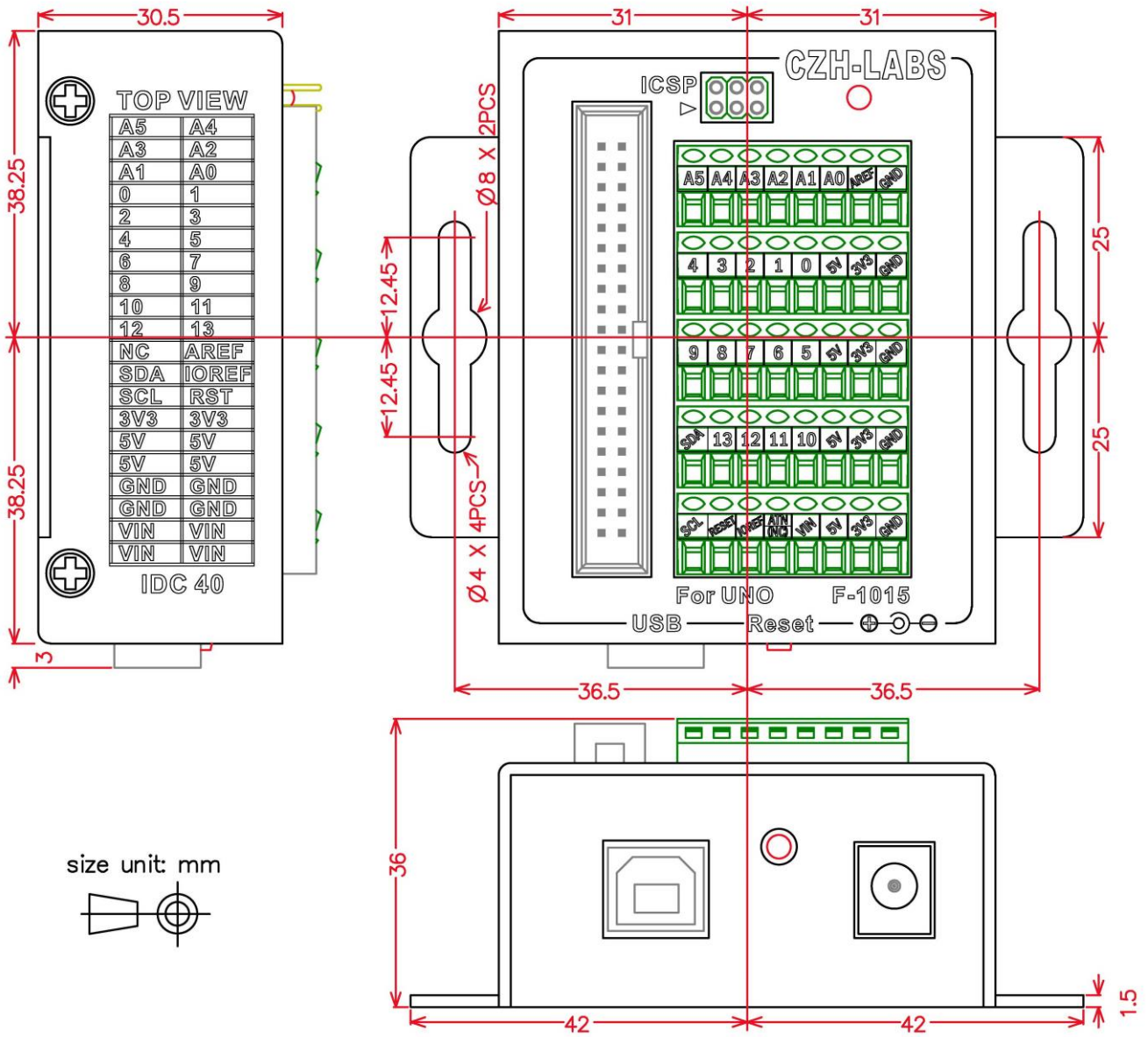
- UNO Screw Terminal Block Breakout Module with Aluminum Enclosure. With the adapter module you can easily extend Arduino UNO projects to industrial control applications. Applications for Arduino UNO R2 / R3 (NOTE: the item not include Arduino UNO).
- Terminal block pitch 3.5mm/0.138", wire size range 26AWG to 16AWG, strip length 5mm, screw M2 steel, pin header and cage copper. Standard IDC40 pitch 0.1" header, you can use 40pin FRC(flat ribbon cable) connector cable connect all Arduino UNO pins to peripheral equipment. 6pin connector header support ICSP external connects.
- Support for Desktop, Panel mount, Wall-mount or DIN rail mount. DIN rail mount supports vertical or horizontal place mounting. Can support width 35mm / 32mm / 15mm rail.
- Enclosure: High quality aluminum enclosure, thickness 1.5mm/0.06", with attractive and extremely durable powder coat painting and clear laser marking labels. FR-4 fiber glass PCB, dual copper layers.
- Packing list: 1x Terminal Block Board(assembled standoffs and screws), 1x Aluminum enclosure(top and bottom covers), 5x M3x4mm Flat head screws(for top and bottom cover), 4x M2x6mm Standoff, 4x M2x6mm Flat head screw, 2x DIN rail adapter bracket, 4x M3x10mm Flat head tapping screw(for DIN rail adapter bracket), 1x 2x3pin header connector(for ICSP).

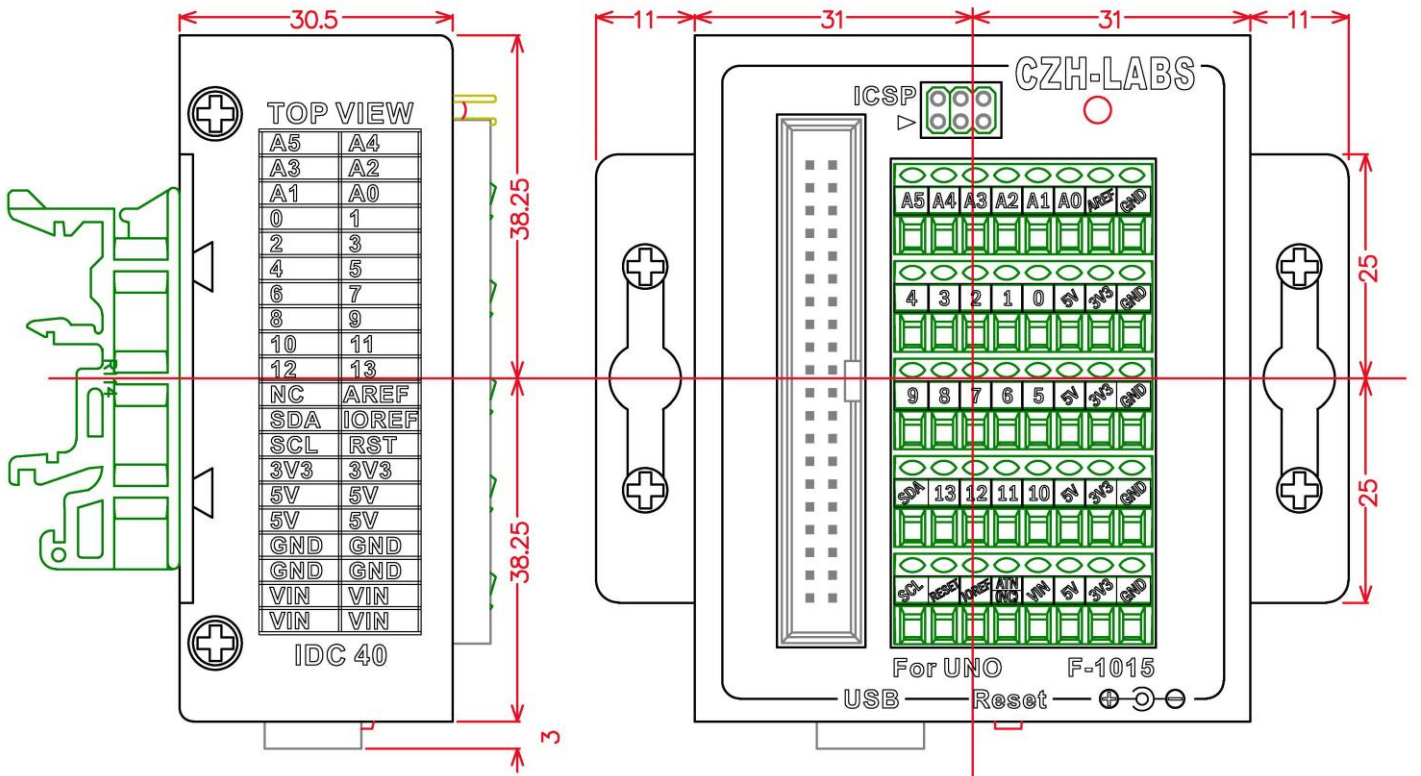


Schematic:

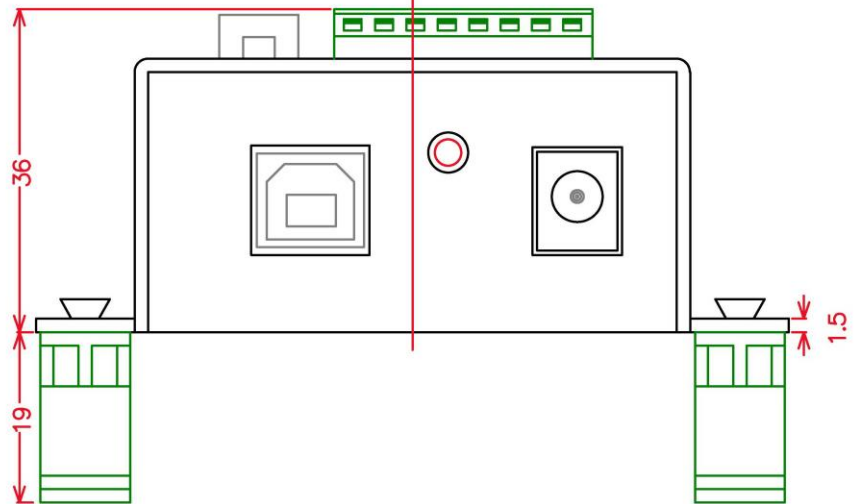
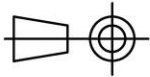


Dimensions:



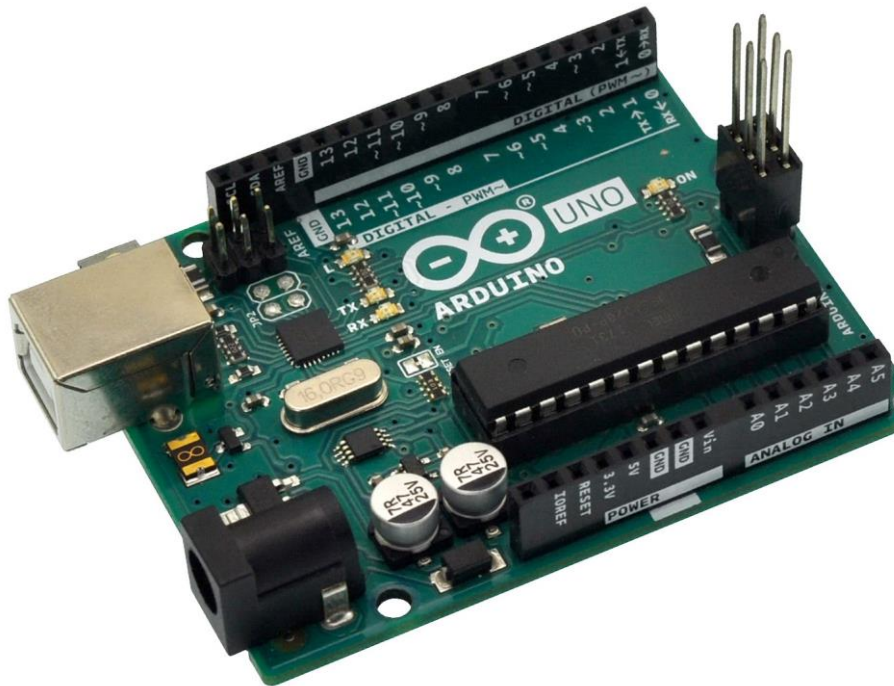


size unit: mm

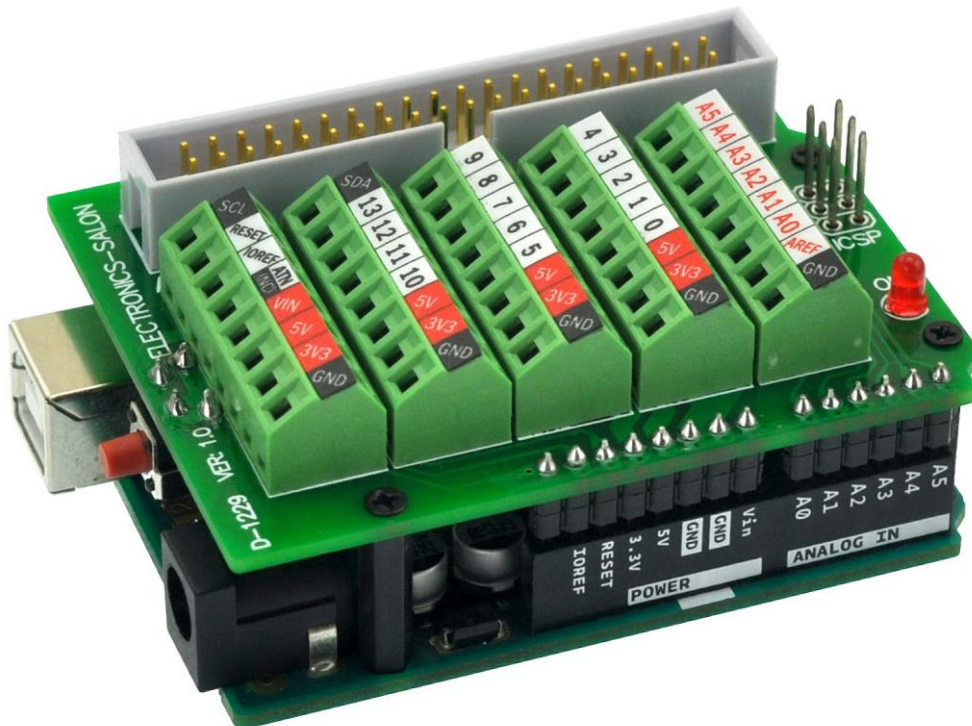


Assembly Step:

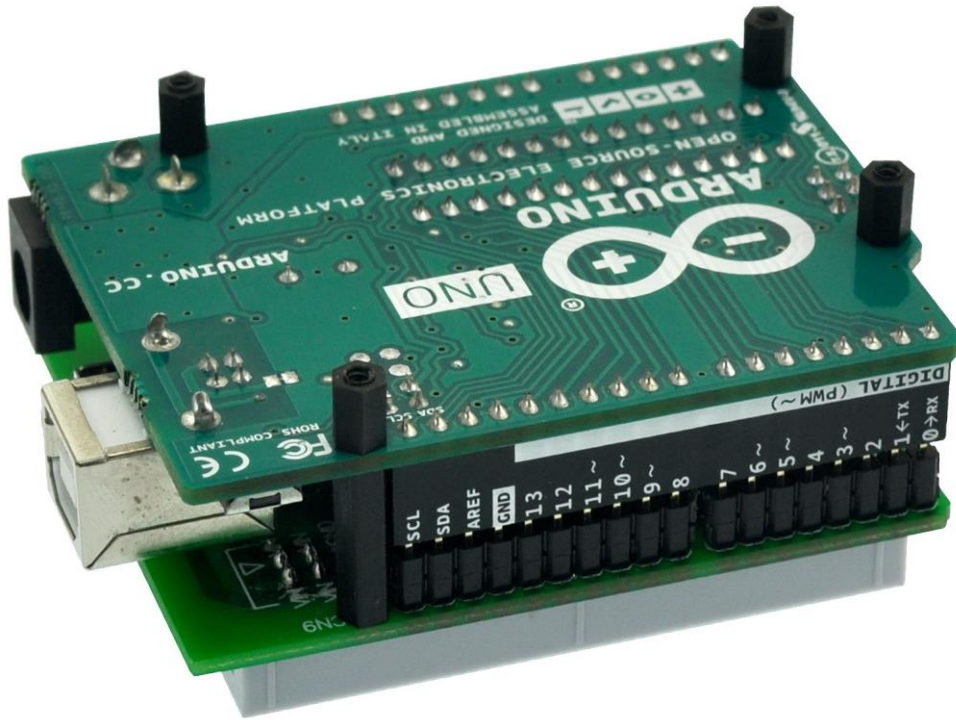
1, Install 2x3pin ICSP connector, if you don't need the ICSP function, you don't have to install it.



2, Install the terminal block board to Arduino UNO.



3, Install M2x6mm male standoffs to Arduino UNO.



4, Install bottom cover and M2x6mm screws with a small phillips screwdriver.



5, Cover the top cover.



6, Install 5pcs black flat head screws with a phillips screwdriver.



7, Install DIN rail adapter bracket with a phillips screwdriver. if you don't need DIN rail mount, you don't have to install it.

